

Product Application

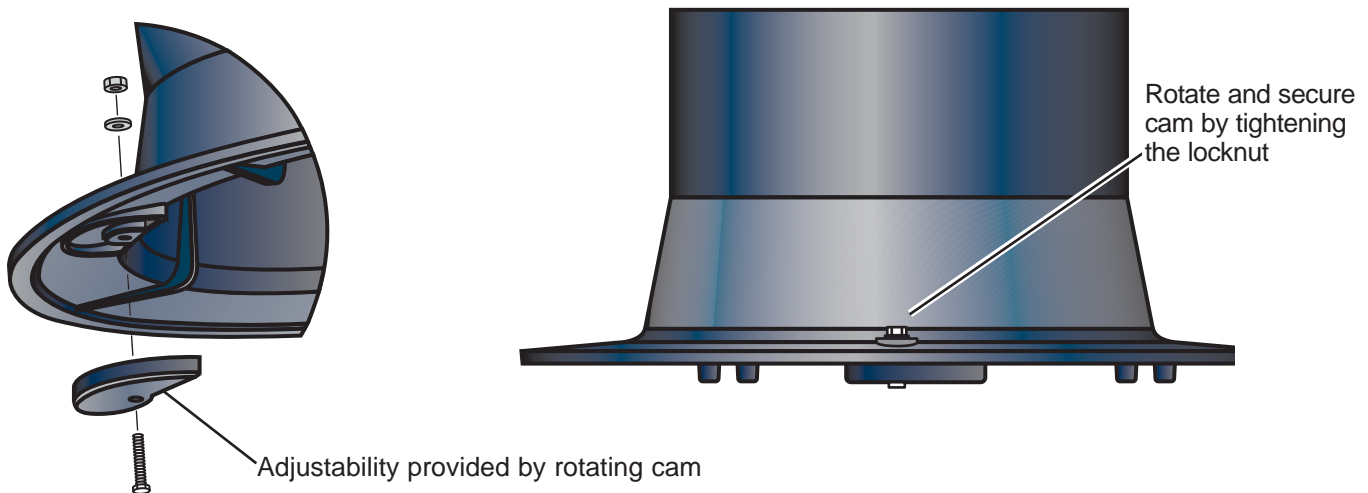
07/07

Adjustable Wabash Style Iron Cover (Patent Pending)

ANOTHER VERSATILE, DURABLE, AND AFFORDABLE PRODUCT HITS THE GROUND.

Ford Meter Box expands its meter pit coverage. Besides the large selection of lids and covers, Ford now offers a new Wabash Cover, W3-1-4, with an adjustable cam that will adapt to most 15", 18", 20" or 21" pipe or tile. This universal cover will allow you to reduce your costs and inventory levels while maintaining an outstanding quality product.

Installation is easy. Simply center the cover on the pipe or tile and tighten the locknut on top of the frame. This rotates and tightens the cam against a 15", 18", 20" or 21" diameter pipe or tile, properly positioning the cover.



- ONE UNIVERSAL COVER
- ONE COVER TO STOCK
- ONE PRICE
- ONE GREAT IDEA

FEATURES

- Lids and covers are manufactured from cast iron meeting ASTM A48, Class 25 (25,000 PSI Tensile strength)
- The adjustable iron cam will adapt to most types of 15", 18", 20" or 21" pipe or tile
- Optional precast holes in the top lid for electronic meter reading modules
- Standard pentagon bolt is furnished with locking lids (larger bolt is available)
- Plastic inner lid is standard - an aluminum or W3BPD inner lid is optional.
- The W3BPD inner lid is standard for all Wabash style covers with 11-1/2" electronic meter reading lids.
- Finish is black E-coating

For additional information on this product, or any other Ford product, contact your local Ford distributor or The Ford Meter Box Company.



The Ford Meter Box Co., Inc. 775 Manchester Avenue, P.O. Box 443, Wabash, Indiana, USA 46992-0443
Telephone: 260-563-3171 FAX: 800-826-3487 Overseas FAX: 260-563-0167 <http://www.fordmeterbox.com>