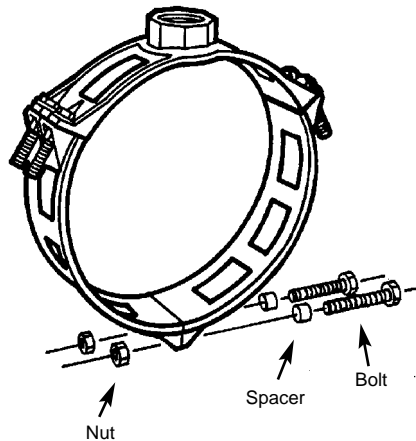


9. **S-70** Saddles for 10" and 12" pipe are of a three piece design. The bottom sections (without the tapped boss) are joined together with a bolt, nut and spacer combination. The spacer **must** be installed between the bolt head and the saddle body (see drawing below). **The spacer must not be placed between the saddle sections.** Tighten all bolts equally with 25 to 30 foot pounds.



#020074

9/91



The Ford Meter Box Company, Inc. P.O. Box 443, Wabash, Indiana, USA 46992-0443

Telephone: 260-563-3171 / FAX: 800-826-3487 / Overseas FAX: 260-563-0167