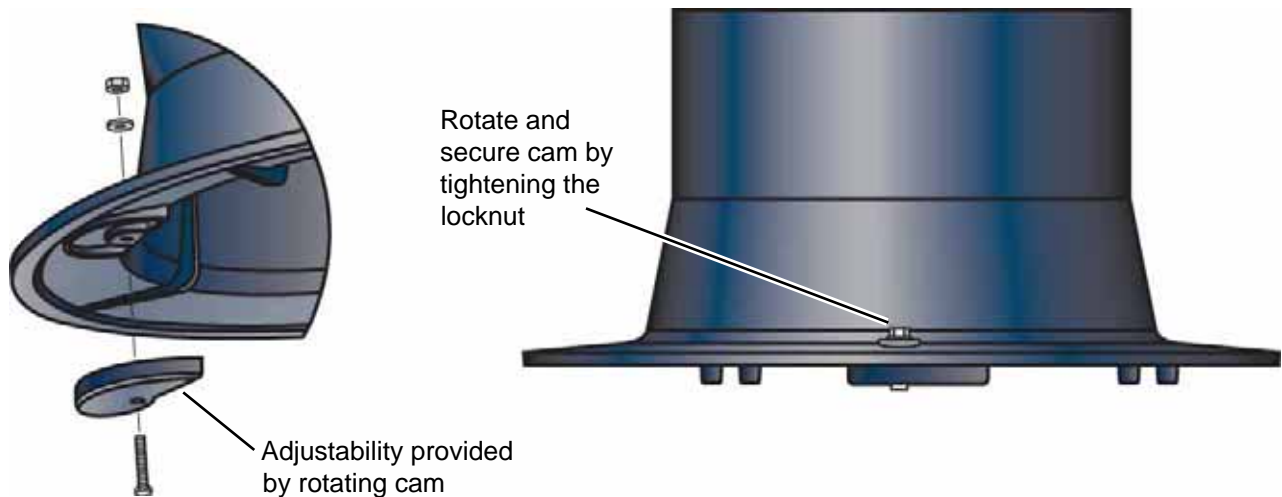


Ford Gives An Old Favorite A New Twist

Ford Meter Box expands its meter pit coverage with the introduction of the Adjustable Wabash Style Iron Cover (Patent Pending). Besides the large selection of lids and covers, Ford now offers a new Wabash Cover, W3-1-4, with an adjustable cam that will adapt to most 15", 18", 20" or 21" pipe or tile. This universal cover will allow you to reduce your costs and inventory levels while maintaining the outstanding product quality you've come to expect from Ford. The Ford Adjustable Wabash Style Iron Cover offers the same meter pit protection as our standard Wabash Cover. Its double lid design helps protect water meters from freezing, and the durable cast iron construction helps provide long-lasting security against damage or tampering.

Installation is easy. Simply position the cover on the pipe or tile and tighten the locknut on top of the frame. This rotates and tightens the cam against a 15", 18", 20" or 21" diameter pipe or tile, securing the cover in position.



FEATURES

- Lids and covers are manufactured from cast iron meeting ASTM A48, Class 25 (25,000 PSI Tensile strength)
- The adjustable iron cam will adapt to most types of 15", 18", 20" or 21" pipe or tile
- Optional precast holes in the top lid for electronic meter reading modules
- Standard pentagon bolt is furnished with locking lids (larger bolt is available)
- Plastic inner lid is standard - an aluminum or W3BPD plastic recessed inner lid is optional
- The W3BPD inner lid is standard for all Wabash style covers with 11-1/2" electronic meter reading lids
- Finish is black E-coating

For additional information on this product, or any other Ford product, contact your local Ford distributor or The Ford Meter Box Company.

