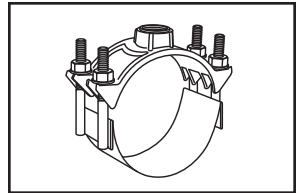
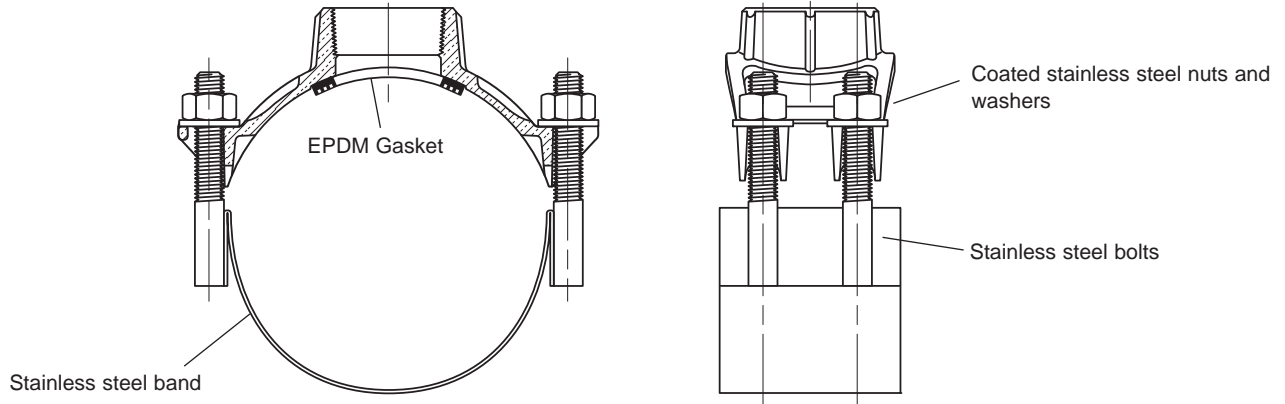


SUBMITTAL INFORMATION

Brass Saddles for C900/C905 PVC - (202BS-xxx-xxx style)



202BS DOUBLE BAND BRASS SADDLES FOR C900 PVC PIPE



PVC PIPE SIZE	ACTUAL O.D.	APPROX. WT. LBS.	CATALOG NUMBER	✓ SUBMITTED ITEM(S)
4"	4.80	6.6	▼ 202BS-480-Tap	
6"	6.90	7.7	▼ 202BS-690-Tap	
8"	9.05	8.8	▼ 202BS-905-Tap	
10"	11.10	10.7	▼ 202BS-1110-Tap	
12"	13.20	11.8	▼ 202BS-1320-Tap	
14"	15.30	18.0	▼ 202BS-1530-Tap	
16"	17.40	23.0	▼ 202BS-1740-Tap	
18"	19.50	25.0	▼ 202BS-1950-Tap	
20"	21.60	25.5	▼ 202BS-2160-Tap	
24"	25.80	26.0	▼ 202BS-2580-Tap	
30"	32.00	27.0	▼ 202BS-3200-Tap	



▼ UL Classified to ANSI/NSF Standard 61.

OUTLET TAP CODE

CC (AWWA) THREAD		
THREAD	CODE NUMBER	✓ SUBMITTED ITEM(S)
3/4" CC	CC3	
1" CC	CC4	
1-1/2" CC	CC6	
2" CC	CC7	

IP THREAD		
THREAD	CODE NUMBER	✓ SUBMITTED ITEM(S)
3/4" IP	IP3	
1" IP	IP4	
1-1/2" IP	IP6	
2" IP	P7	

To Order: Select the catalog number for the desired pipe range and complete the catalog number by adding the outlet thread tap code.
Example: A double band saddle for 6.90 C900 PVC pipe with a 3/4" CC thread would be 202BS-690-CC3.

FEATURES

- All brass conforms to AWWA Standard C800 (ASTM B-62 and ASTM B-584, UNS NO C83600 - 85-5-5-5)
- Bands and 5/8" UNC threaded bolts are made of 18-8 stainless steel. Welds are fully passivated for corrosion resistance.
- Gasket is EPDM rubber ASTM D2000
- Stainless steel nuts are coated to prevent galling

The Ford Meter Box Company considers the information in this submittal form to be correct at the time of publication. Item and option availability, including specifications, are subject to change without notice. Please verify that your product information is current.



The Ford Meter Box Company, Inc.

P.O. Box 443, Wabash, Indiana U.S.A. 46992-0443

Phone: 260-563-3171 / Fax: 800-826-3487

Overseas Fax: 260-563-0167

<http://www.fordmeterbox.com>

10/22/07

Submitted By: