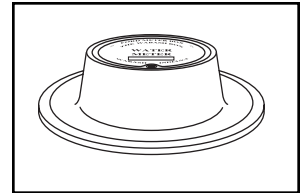
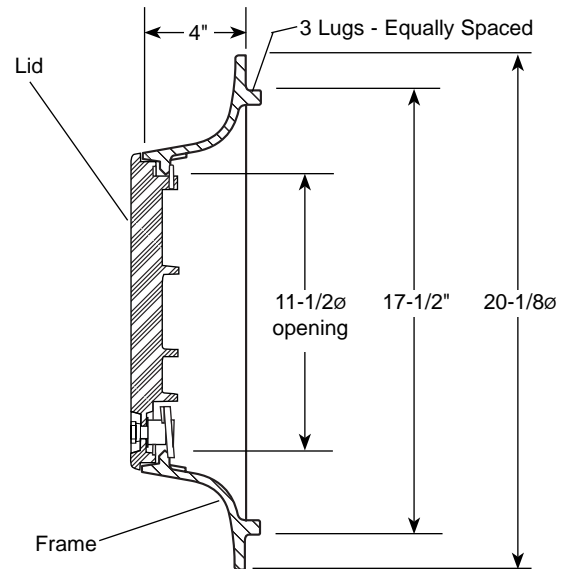
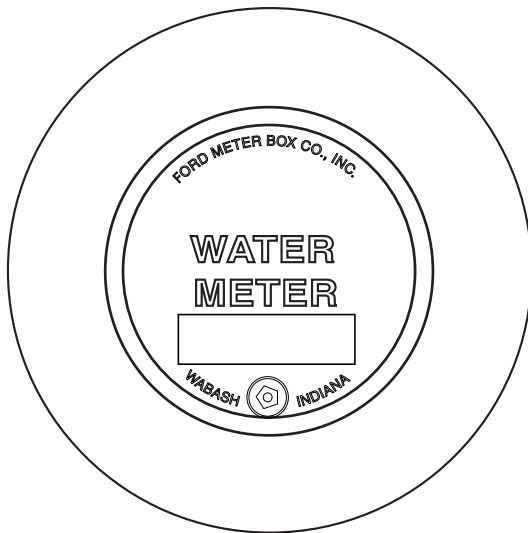


SUBMITTAL INFORMATION

Meter Box Covers - (A32P style)



11-1/2" PLASTIC OVERLAPPING LID FOR 18" TILE



*LID SIZE	TILE I.D.	APPROX. WT. LBS.	DESCRIPTION	CATALOG NUMBER	✓ SUBMITTED ITEM
11-1/2"	18"	28.0	Cover with Locking Plastic Overlapping Lid	A32P	

* Lid size indicates approximate pit access opening; actual lid diameter is approximately 1" larger.

FEATURES

- Frame is cast iron per ASTM A48-92, Class 25.
- Frame finish is black E-coating.
- Lid has standard size pentagon bolt with special worm lock.
- Lid material: Black impact polypropylene, ultraviolet resistant.
- Plastic permits transmission of radio waves better than iron.
- Plastic lid designed for use with Ford style "A" recessed lid frames with 11-1/2" lid openings.

Note: The plastic lid will stand higher in the frame than the iron lid. Using the plastic lid will require grade adjustments to prevent a tripping hazard.

The Ford Meter Box Company considers the information in this submittal form to be correct at the time of publication. Item and option availability, including specifications, are subject to change without notice. Please verify that your product information is current.



The Ford Meter Box Company, Inc.

P.O. Box 443, Wabash, Indiana U.S.A. 46992-0443

Phone: 260-563-3171 / Fax: 800-826-3487

Overseas Fax: 260-563-0167

<http://www.fordmeterbox.com>

09/07/06

Submitted By: