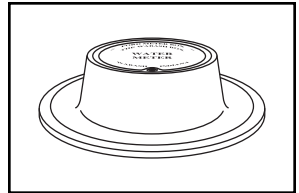
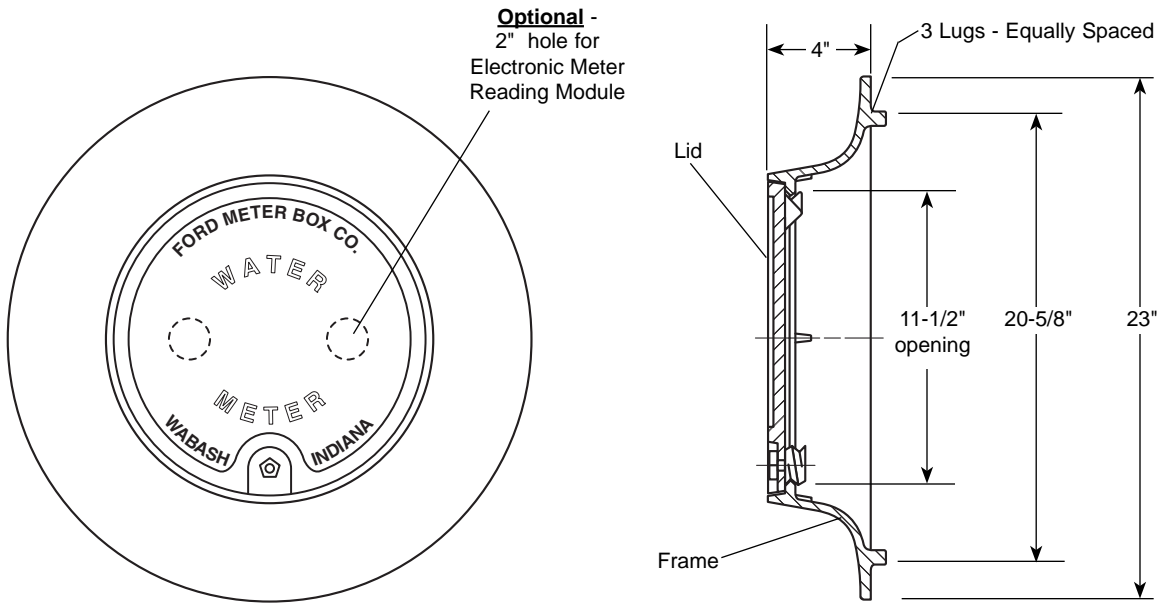


# SUBMITTAL INFORMATION

## Meter Box Covers - (A4 style)



### 11-1/2" INSET LID FOR 21" TILE



*LID SIZE	TILE I.D.	APPROX. WT. LBS.	DESCRIPTION	CATALOG NUMBER	✓ SUBMITTED ITEM(S)
11-1/2"	21"	40.0	Cover with Locking Inset Lid	A4	
			Cover with Lockless Inset Lid	A4-LL	
			Single hole for Meter Reading Module	A4-T	
			Two holes for Meter Reading Modules	A4-TT	

\* Lid size indicates approximate pit access opening; actual lid diameter is approximately 1" larger.

## FEATURES

- Available with precast holes for electronic meter reading modules.  
Add to catalog number: "-T" for single hole, "-TT" for double hole.
- Standard pentagon bolt furnished with locking lids.  
Larger size is available. Add "-LB" to catalog number. For non-locking lid, add "-LL".
- Frame and lid are cast iron per ASTM A48-92, Class 25.
- Finish is black E-coating.

The Ford Meter Box Company considers the information in this submittal form to be correct at the time of publication. Item and option availability, including specifications, are subject to change without notice. Please verify that your product information is current.



### The Ford Meter Box Company, Inc.

P.O. Box 443, Wabash, Indiana U.S.A. 46992-0443

Phone: 260-563-3171 / Fax: 800-826-3487

Overseas Fax: 260-563-0167

<http://www.fordmeterbox.com>

11/11/03

Submitted By: