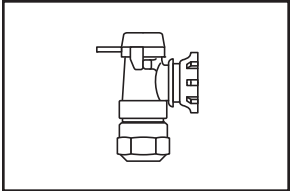
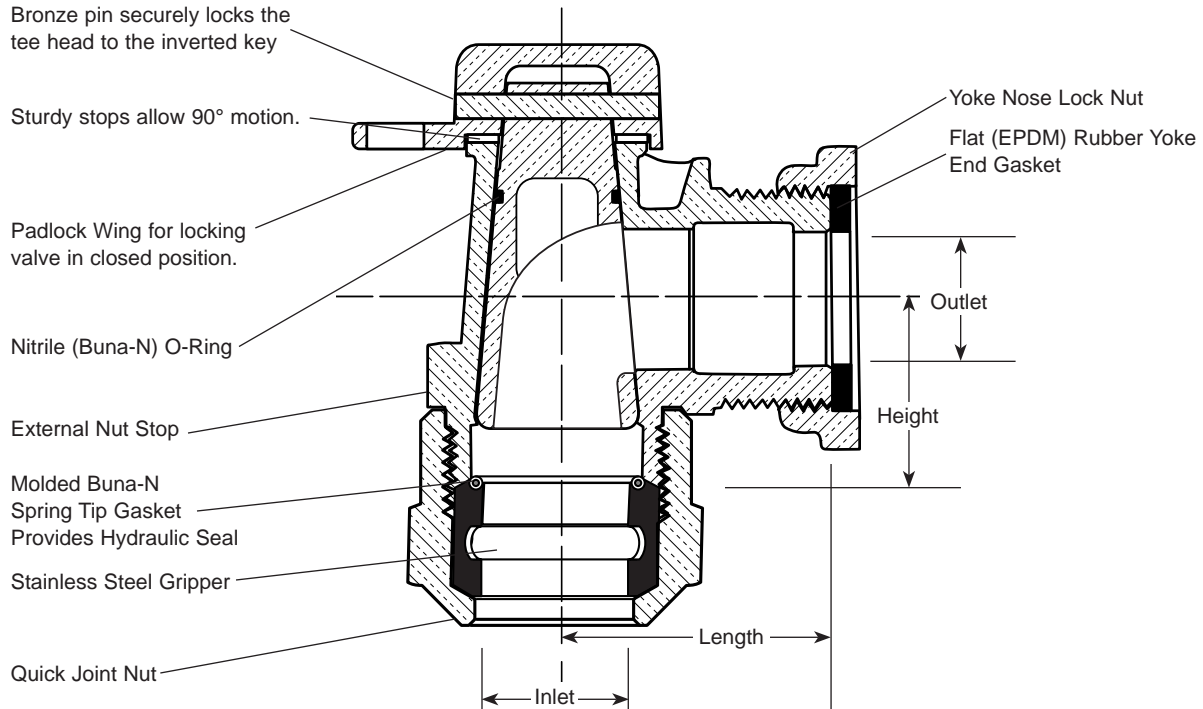


SUBMITTAL INFORMATION

Angle Key Yoke Valves - (AV94-xxxW-Q style)



QUICK JOINT FOR COPPER OR PLASTIC TUBING (CTS) INLET BY METER YOKE NOSE OUTLET



| VALVE SIZE | INLET SIZE | OUTLET SIZE | LENGTH | HEIGHT | APPROX. WT. LBS | CATALOG NUMBER | ✓ SUBMITTED ITEM(S) |
|------------|------------|------------------|---------|----------|-----------------|----------------|---------------------|
| 3/4" | 3/4" | 5/8" | 1-9/16" | 1-13/16" | 1.5 | ▼ AV94-313W-Q | |
| 3/4" | 3/4" | 5/8"x3/4" & 3/4" | 1-9/16" | 1-13/16" | 1.5 | ▼ AV94-323W-Q | |
| 1" | 1" | 1" | 2" | 1-7/8" | 2.3 | ▼ AV94-444W-Q | |

▼ UL Classified to ANSI/NSF Standard 61.

Note: Ford recommends using insert stiffeners with plastic pipe or tubing.



FEATURES

- All brass conforms to AWWA Standard C800 (ASTM B-62 and ASTM B-584 UNS NO C83600 - 85-5-5-5)
- Meets 100 PSI working pressure requirement of AWWA Standard C800.
- Padlock Wing for locking the valve in a closed position.

The Ford Meter Box Company considers the information in this submittal form to be correct at the time of publication. Item and option availability, including specifications, are subject to change without notice. Please verify that your product information is current.



The Ford Meter Box Company, Inc.

P.O. Box 443, Wabash, Indiana U.S.A. 46992-0443

Phone: 260-563-3171 / Fax: 800-826-3487

Overseas Fax: 260-563-0167

<http://www.fordmeterbox.com>

10/22/07

Submitted By: