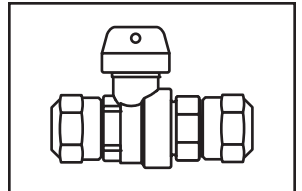
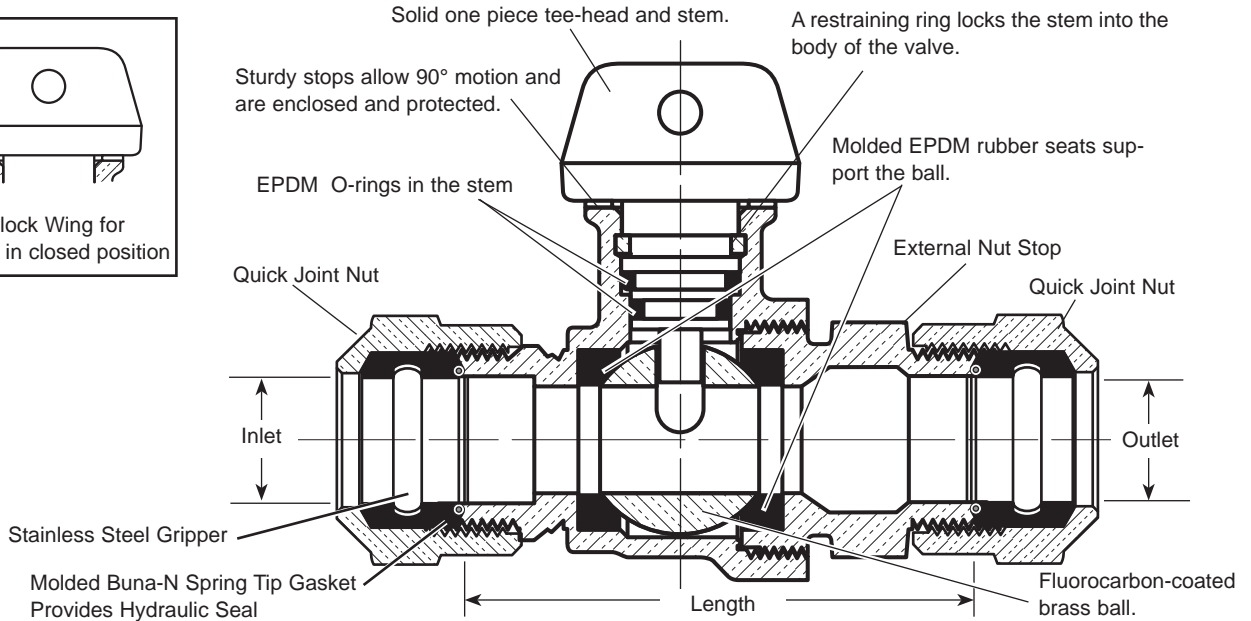
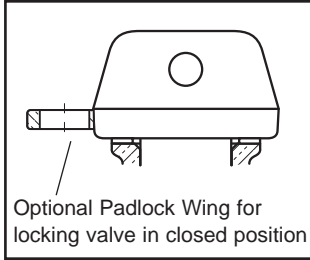


SUBMITTAL INFORMATION

Ball Valve Curb Stop - (B44-xxx-Q-NL style)



QUICK JOINT FOR COPPER OR PLASTIC TUBING (CTS) INLET AND OUTLET



VALVE SIZE	INLET SIZE	OUTLET SIZE	LENGTH	APPROX. WT. LBS	PART NUMBER	✓ SUBMITTED ITEM(S)
3/4"	3/4"	3/4"	3-15/16"	2.4	B44-333-Q-NL	
3/4"	1"	3/4"	4-3/16"	2.5	B44-343-Q-NL	
3/4"	1"	1"	4-15/16"	3.1	B44-344-Q-NL	
1"	1"	1"	4-13/16"	3.2	B44-444-Q-NL	
1-1/4"	1-1/4"	1-1/4"	6-9/16"	6.3	B44-555-Q-NL	
1-1/2"	1-1/2"	1-1/2"	7"	8.4	B44-666-Q-NL	
2"	2"	2"	7-1/4"	13.0	B44-777-Q-NL	



Note: Ford recommends insert stiffeners when using plastic pipe or tubing.

FEATURES

- All brass that comes in contact with potable water conforms to AWWA Standard C800 (UNS NO C89833)
- Brass components that do not come in contact with potable water conforms to AWWA Standard C800 (ASTM B-62 and ASTM B-584 UNS NO C83600 - 85-5-5-5)
- Valve is non-directional and is watertight with flow in either direction.
- Ends are integral or secured with adhesive to prevent unintentional disassembly.
- Hole for attaching curb box rod or handle is provided in tee-head.
- 300 PSI working pressure.
- The product has the letters "NL" cast into the main body for proper identification.
- All products with the "NL" designation are UL Classified to ANSI/NSF Standard 61.

Optional Padlock Wing for locking valve in closed position. Insert "W" into part number.

Optional full 360° tee-head rotation. Insert "R" into part number.

The Ford Meter Box Company considers the information in this submittal form to be correct at the time of publication. Item and option availability, including specifications, are subject to change without notice. Please verify that your product information is current.



The Ford Meter Box Company, Inc.

P.O. Box 443, Wabash, Indiana U.S.A. 46992-0443

Phone: 260-563-3171 / Fax: 800-826-3487

Overseas Fax: 260-563-0167

<http://www.fordmeterbox.com>

10/22/07

Submitted By: