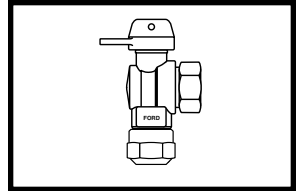
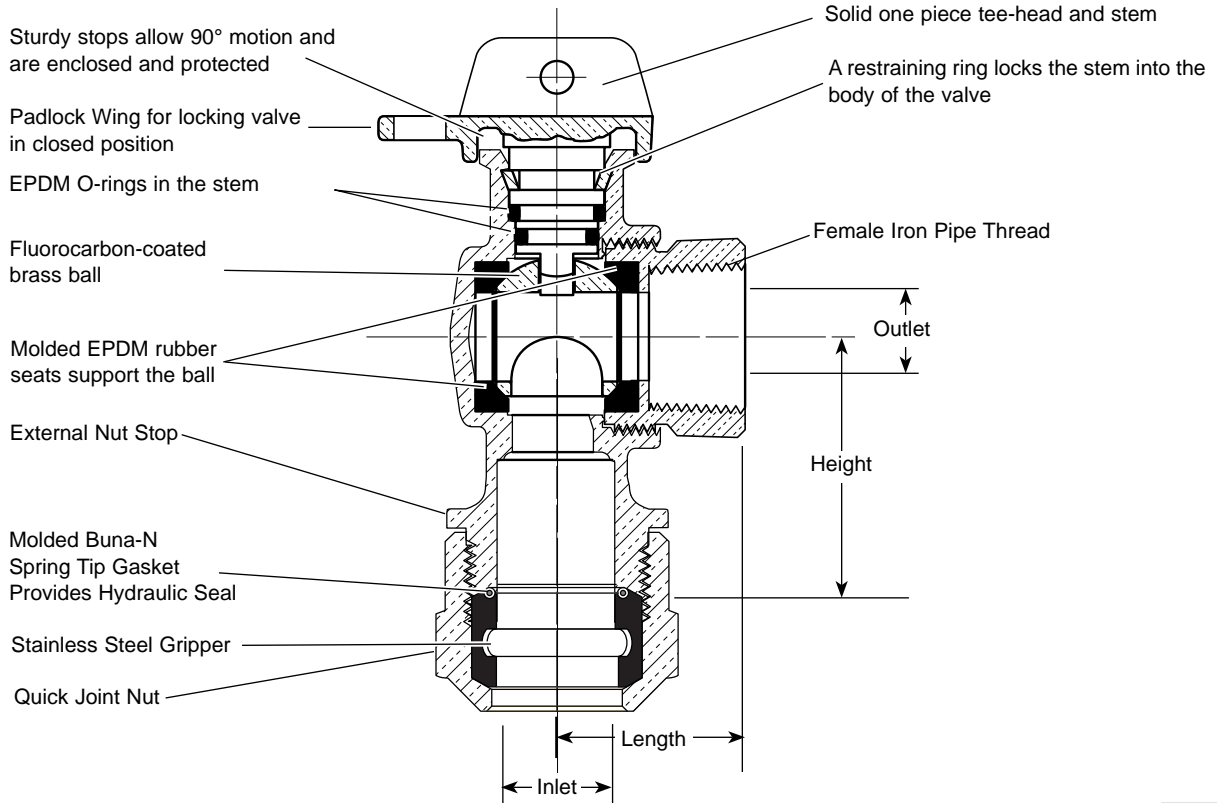


# SUBMITTAL INFORMATION

## Angle Ball Service Valves - (BA41-444W-Q style)



QUICK JOINT FOR COPPER OR PLASTIC TUBING (CTS) INLET BY FEMALE IRON PIPE THREAD OUTLET



| VALVE SIZE | INLET SIZE | OUTLET SIZE | LENGTH | HEIGHT   | APPROX. WT. LBS | PART NUMBER     | ✓ SUBMITTED ITEM(S) |
|------------|------------|-------------|--------|----------|-----------------|-----------------|---------------------|
| 1"         | 1"         | 1"          | 1-7/8" | 2-15/16" | -               | ▼▼ BA41-444W -Q |                     |

▼▼ Add "-K" to end of catalog number for item to be UL classified to ANSI/NSF Standard 61.

**Note:** Ford recommends using insert stiffeners with plastic pipe or tubing.



### FEATURES

- All brass conforms to AWWA Standard C800 (ASTM B-62 and ASTM B-584, UNS NO C83600 - 85-5-5-5)
- Ends are integral or secured with adhesive to prevent unintentional disassembly.
- Hole for attaching handle is provided in tee-head.
- 300 PSI working pressure.
- Padlock Wing for locking valve in closed position.

**Note:** Recommended flow from inlet to outlet.

**Optional full 360° tee-head rotation.** Insert "R" into part number.

Example: BA41-444WR-Q

The Ford Meter Box Company considers the information in this submittal form to be correct at the time of publication. Item and option availability, including specifications, are subject to change without notice. Please verify that your product information is current.



**The Ford Meter Box Company, Inc.**

P.O. Box 443, Wabash, Indiana U.S.A. 46992-0443

Phone: 260-563-3171 / Fax: 800-826-3487

Overseas Fax: 260-563-0167

<http://www.fordmeterbox.com>

07/12/05

Submitted By: