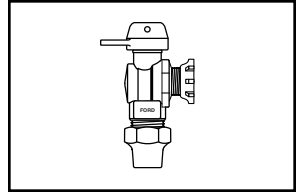
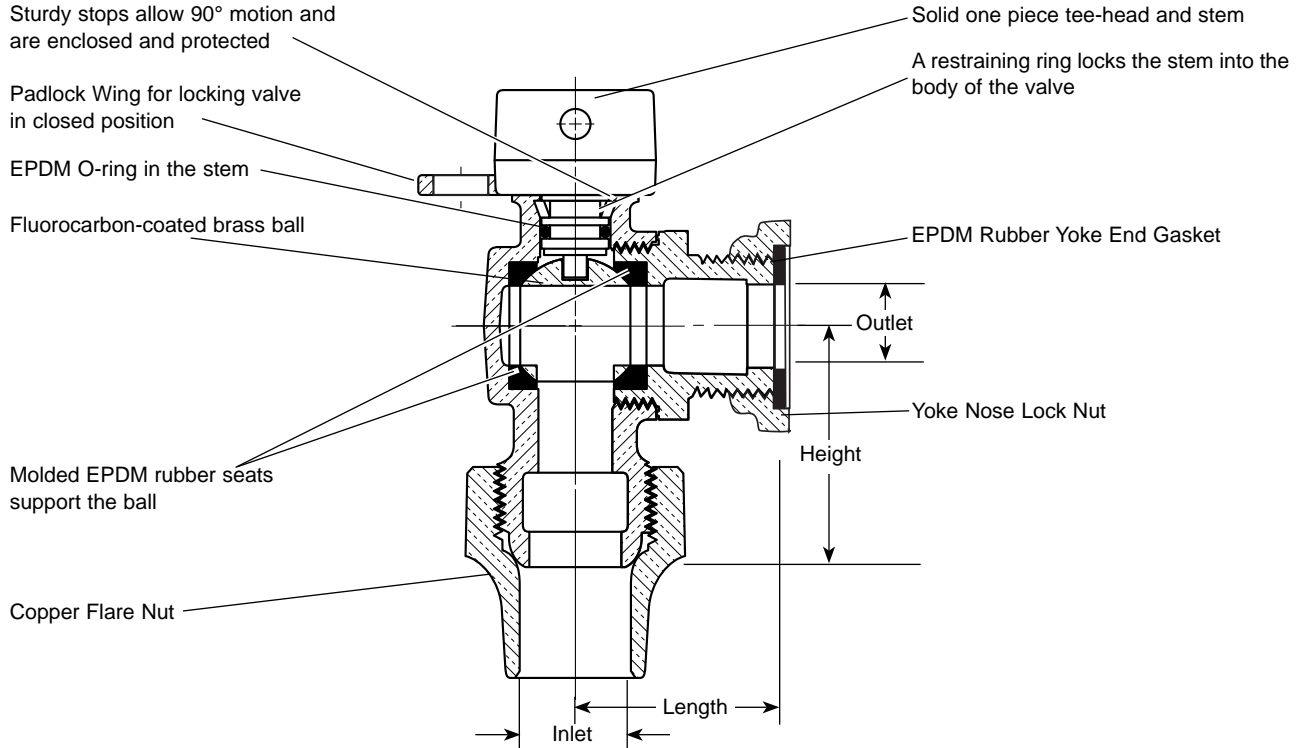


# SUBMITTAL INFORMATION

## Angle Ball Yoke Valves - (BA92-2xxW style)



### 5/8" VALVES WITH FLARE COPPER INLET BY METER YOKE NOSE OUTLET



VALVE SIZE	INLET SIZE	OUTLET METER SIZE	LENGTH	HEIGHT	APPROX. WT. LBS	CATALOG NUMBER	✓ SUBMITTED ITEM(S)
5/8"	3/4"	5/8"	1-5/8"	1-7/8"	1.5	▼ BA92-213W	
5/8"	3/4"	5/8"x3/4" & 3/4"	1-5/8"	1-7/8"	1.5	▼ BA92-223W	
5/8"	1"	5/8"	1-5/8"	1-7/8"	1.9	▼ BA92-214W	
5/8"	1"	5/8"x3/4" & 3/4"	1-5/8"	1-7/8"	1.9	▼ BA92-224W	



▼ UL Classified to ANSI/NSF Standard 61.

### FEATURES

- All brass conforms to AWWA Standard C800 (ASTM B-62 and ASTM B-584, UNS NO C83600 - 85-5-5-5)
- Ends are integral or secured with adhesive to prevent unintentional disassembly.
- 300 PSI working pressure.
- Padlock Wing for locking valve in closed position.

**Note:** Recommended flow from inlet to outlet.

The Ford Meter Box Company considers the information in this submittal form to be correct at the time of publication. Item and option availability, including specifications, are subject to change without notice. Please verify that your product information is current.



#### The Ford Meter Box Company, Inc.

P.O. Box 443, Wabash, Indiana U.S.A. 46992-0443

Phone: 260-563-3171 / Fax: 800-826-3487

Overseas Fax: 260-563-0167

<http://www.fordmeterbox.com>

06/17/08

Submitted By: