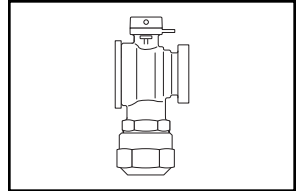
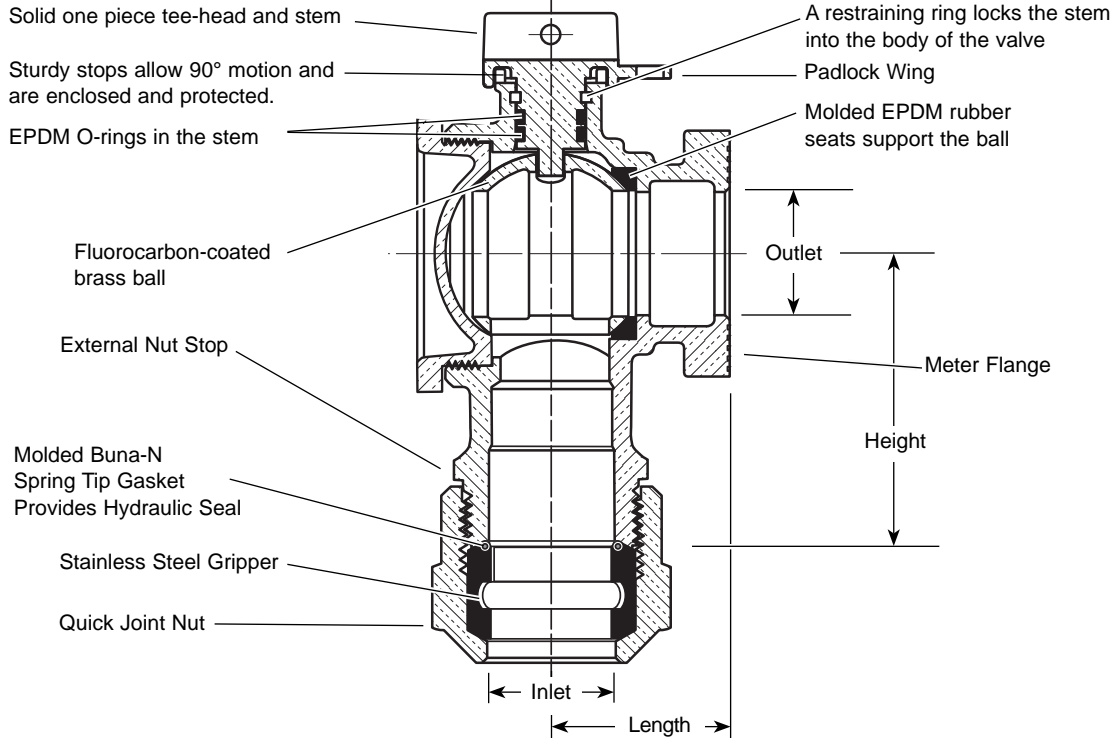


SUBMITTAL INFORMATION

Angle Ball Flange Meter Valves - (BFA43-xxxW-Q style)



QUICK JOINT FOR COPPER OR PLASTIC TUBING (CTS) INLET BY METER FLANGE OUTLET



VALVE SIZE	SERVICE LINE SIZE INLET	METER SIZE OUTLET	LENGTH	HEIGHT	APPROX. WT. LBS	PART NUMBER	✓ SUBMITTED ITEM(S)
1-1/2"	1-1/2"	1-1/2"	2-1/2"	3-11/16"	8.9	▼▼ BFA43-666W -Q	
2"	2"	1-1/2" & 2"	2-7/8"	4-13/16"	13.0	▼▼ BFA43-777W -Q	



▼▼ Add "-K" to end of catalog number for item to be UL classified to ANSI/NSF Standard 61.

Note: Ford recommends using insert stiffeners with plastic pipe or tubing.



FEATURES

- All brass conforms to AWWA Standard C800 (ASTM B-62 and ASTM B-584, UNS NO C83600 - 85-5-5-5)
- Padlock Wing for locking valve in closed position.
- Hole for attaching handle is provided in the tee head.
- 300 PSI working pressure
- Includes EPDM drop-in style meter gasket
- Suitable for customer side shut off (outlet side of meter) up to 150 PSI.
- Slotted holes are standard on 2" Flanged Meter Valves, allowing 1-1/2" Flange Meter Connection

Optional: Full 360° tee head rotation. Insert "R" into the part number. Example: BFA43-777WR-Q
 Meter support brackets. Insert "-MSB" into the part number.
 Example: BFA43-777W-MSB-Q

The Ford Meter Box Company considers the information in this submittal form to be correct at the time of publication. Item and option availability, including specifications, are subject to change without notice. Please verify that your product information is current.



The Ford Meter Box Company, Inc.

P.O. Box 443, Wabash, Indiana U.S.A. 46992-0443

Phone: 260-563-3171 / Fax: 800-826-3487

Overseas Fax: 260-563-0167

<http://www.fordmeterbox.com>

11/28/07

Submitted By: