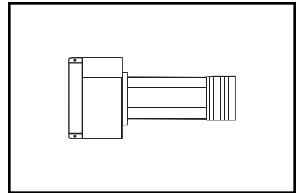
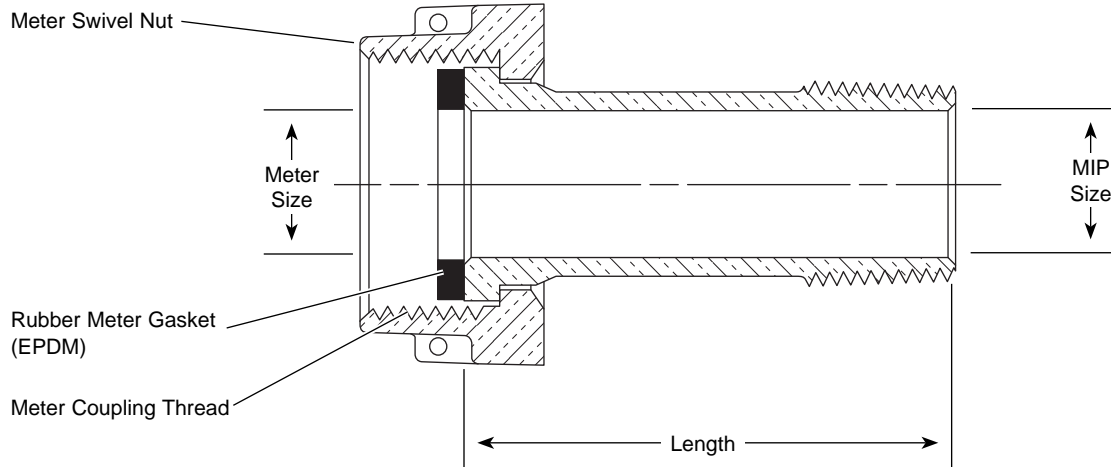


# SUBMITTAL INFORMATION

## Straight Meter Coupling - (C38-xx-xx-NL style A)



### METER SWIVEL NUT BY MALE IRON PIPE THREAD



METER SIZE	MIP SIZE	LENGTH	APPROX. Wt. LBS	PART NUMBER	✓ SUBMITTED ITEM(S)
5/8"	1/2"	2"	.3	C38-11-2-NL	
5/8"	1/2"	2-3/16"	.4	C38-11-2-188-NL	
5/8"	1/2"	2-3/8"	.4	C38-11-2-375-NL	
5/8"x3/4" & 3/4"	3/4"	2"	.4	C38-23-2-NL	
5/8"x3/4" & 3/4"	3/4"	2-1/4"	.4	C38-23-2-25-NL	
5/8"x3/4" & 3/4"	3/4"	2-1/2"	.4	C38-23-2-5-NL	
5/8"x3/4" & 3/4"	3/4"	2-3/4"	.5	C38-23-2-75-NL	
5/8"x3/4" & 3/4"	3/4"	3"	.5	C38-23-3-NL	
5/8"x3/4" & 3/4"	3/4"	8-1/2"	1.0	C38-23-8-5-NL	
1"	1"	2-5/8"	.8	C38-44-2-625-NL	
1"	1"	3-1/2"	.7	C38-44-3-5-NL	
1"	1"	8-1/2"	1.9	C38-44-8-5-NL	
1-1/4"	1"	2-3/4"	1.3	C38-54-2-75-NL	
1-1/2"	1-1/2"	2-7/8"	1.8	C38-66-2-875-NL	
2"	2"	3-1/16"	3.0	C38-77-3-0625-NL	



### FEATURES

- All brass that comes in contact with potable water conforms to AWWA Standard C800 (UNS NO C89833)
- Brass components that do not come in contact with potable water conform to AWWA Standard C800 (ASTM B-62 and ASTM B-584, UNS NO C83600 - 85-5-5-5)
- Style "A" Coupling is long body style with hex on barrel
- Slip-on Meter Swivel Nut
- Conforms to AWWA C700 for Meter Threads
- UL Classified to ANSI/NSF Standard 61
- The product has the letters "NL" cast into the main body for proper identification

The Ford Meter Box Company considers the information in this submittal form to be correct at the time of publication. Item and option availability, including specifications, are subject to change without notice. Please verify that your product information is current.



**The Ford Meter Box Company, Inc.**

P.O. Box 443, Wabash, Indiana U.S.A. 46992-0443

Phone: 260-563-3171 / Fax: 800-826-3487

Overseas Fax: 260-563-0167

<http://www.fordmeterbox.com>

08/03/09

Submitted By: