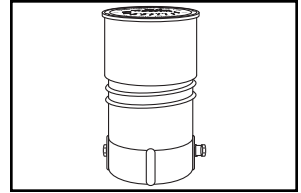


# SUBMITTAL INFORMATION

## Crescent Box - (CB111-xxx style)

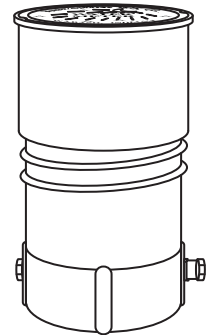
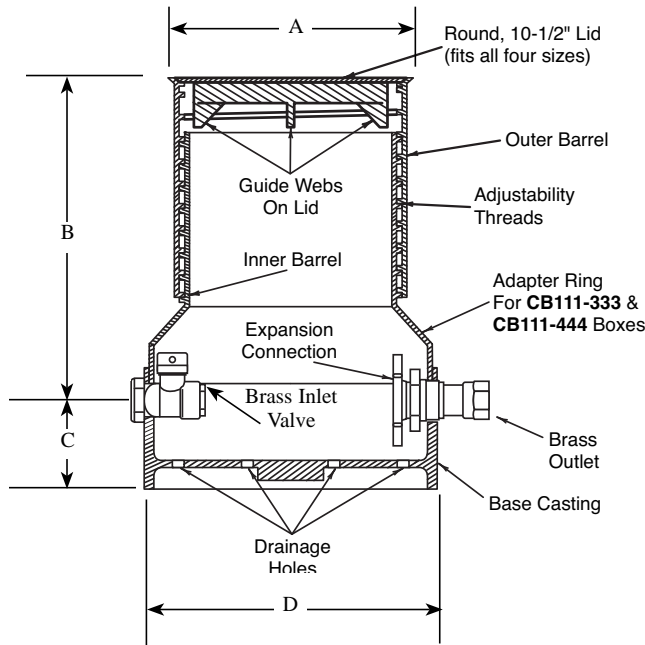


FEMALE IRON PIPE THREAD INLET AND OUTLET

STRAIGHT BRASS INLET BALL VALVE BY STRAIGHT FEMALE IRON PIPE OUTLET

For 3/4" and 1" Meters

For 5/8" and 5/8" x 3/4" Meters



CRESCENT BOX DIMENSIONS

METER SIZE	A	B	C	D
5/8"	12-1/2"	11" - 18"	2-3/4"	11-1/4"
5/8" x 3/4"	12-1/2"	11" - 18"	2-3/4"	11-1/4"
3/4"	12-1/2"	14" - 21"	2-3/4"	13"
1"	12-1/2"	15" - 22"	4-1/4"	*16"

METER SIZE	FIP INLET	FIP OUTLET	APPROX. WT. LBS.	CATALOG NUMBER	✓ SUBMITTED ITEM(S)
5/8"	3/4"	3/4"	72.0	CB111-133	
5/8" x 3/4"	3/4"	3/4"	72.0	CB111-233	
3/4"	3/4"	3/4"	95.0	CB111-333	
1"	1"	1"	109.0	CB111-444	

### FEATURES

- All brass conforms to AWWA Standard C800 (ASTM B-62 and ASTM B-584, UNS NO C83600 - 85-5-5-5)
- Base, inner barrel, outer barrel and lid are cast iron per ASTM A48, Class 25.
- The brass end fittings are permanently and properly spaced and aligned for the meter.
- Finish is black E-coating.
- Round, 10-1/2" lockless lid is standard. Locking lid is available. Add "-LOCKING" to end of catalog number.
- Crescent Boxes for 3/4" and 1" Meters have larger diameter bases, but with adapter rings, use the same size barrels and lids. Adapter rings are included with these boxes.
- Optional Key Valve is available upon request.

The Ford Meter Box Company considers the information in this submittal form to be correct at the time of publication. Item and option availability, including specifications, are subject to change without notice. Please verify that your product information is current.



**The Ford Meter Box Company, Inc.**

P.O. Box 443, Wabash, Indiana U.S.A. 46992-0443

Phone: 260-563-3171 / Fax: 800-826-3487

Overseas Fax: 260-563-0167

<http://www.fordmeterbox.com>

04/23/07

Submitted By: