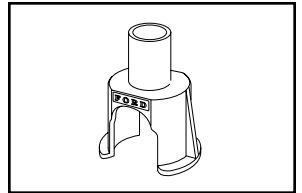
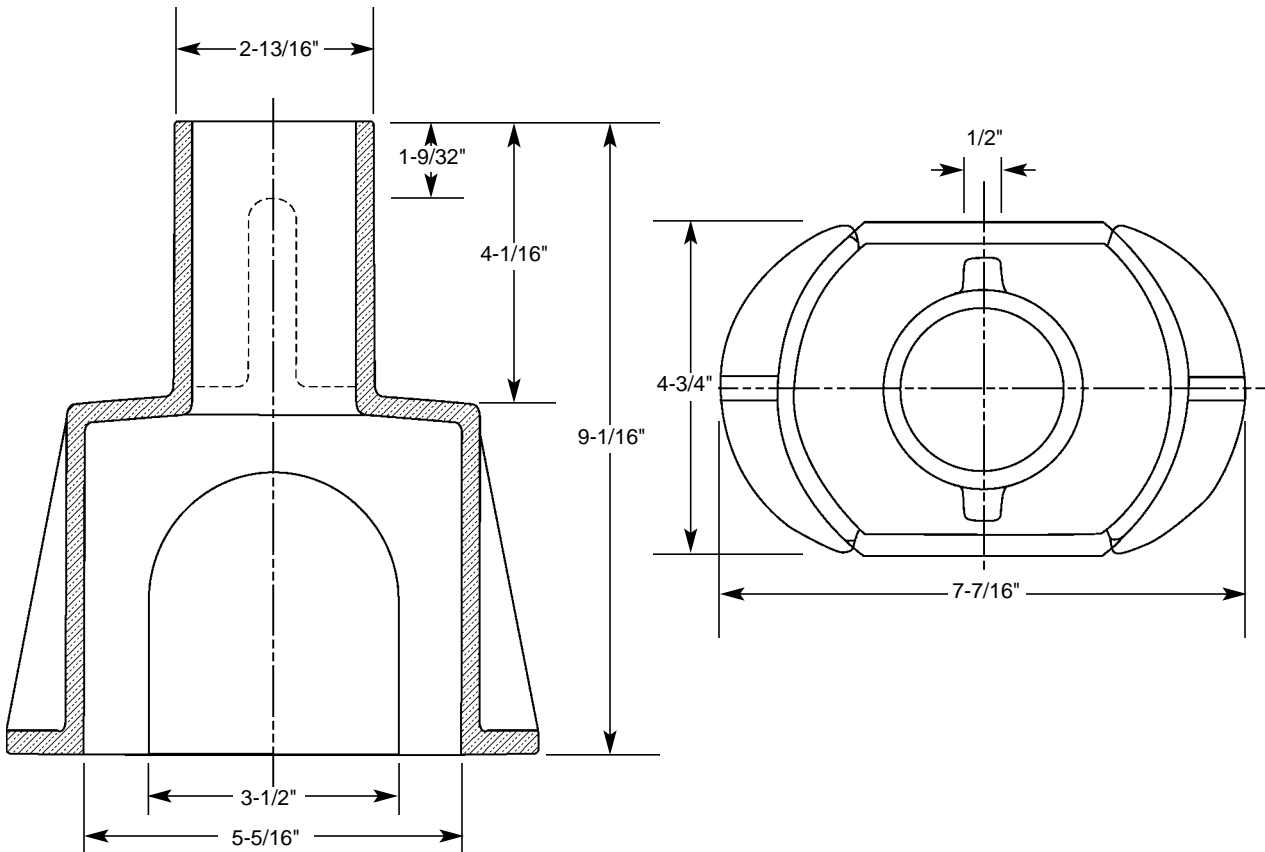


SUBMITTAL INFORMATION

Curb Box Base - (CB-7 style)



BASE TO ADAPT ARCH BASE CURB BOXES TO CURB STOPS LARGER THAN 1"



APPROX. Wt. LBS.	CATALOG NUMBER	✓ SUBMITTED ITEM(S)
8	CB-7	

FEATURES

- Made of Cast Iron ASTM A48, Class 25
- Painted Black Asphalt.
- Fits over 1-1/4", 1-1/2" and 2" Ball Valve Curb Stops.
- Inserts into any Ford Arch Base Curb Box having 2-7/8" or larger I.D. at bottom.
- Increases overall height of curb box by 5".

The Ford Meter Box Company considers the information in this submittal form to be correct at the time of publication. Item and option availability, including specifications, are subject to change without notice. Please verify that your product information is current.



The Ford Meter Box Company, Inc.

P.O. Box 443, Wabash, Indiana U.S.A. 46992-0443

Phone: 260-563-3171 / Fax: 800-826-3487

Overseas Fax: 260-563-0167

<http://www.fordmeterbox.com>

04/30/02

Submitted By: