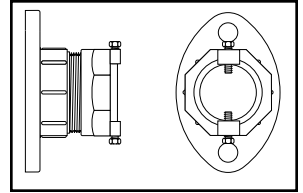
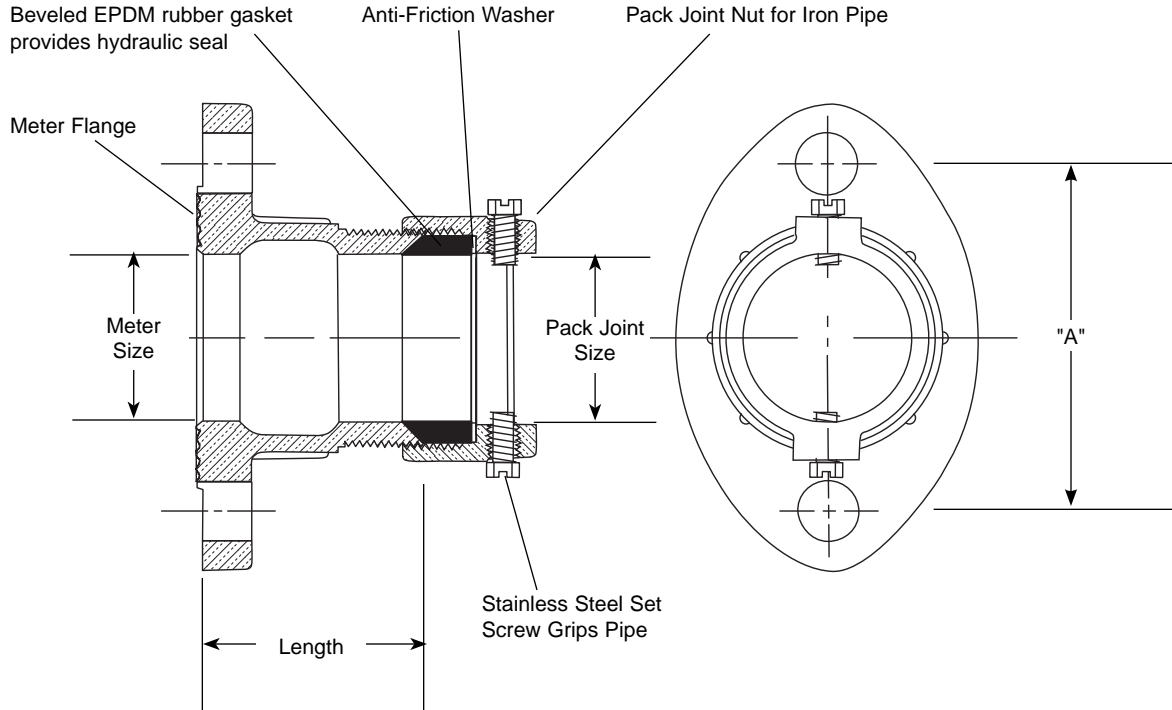


SUBMITTAL INFORMATION

Lok-Pak Meter Coupling - (CF35-xx style)



METER FLANGE BY PACK JOINT FOR IRON PIPE



DESCRIPTION		LENGTH	APPROX. WT. LBS	BOLT HOLE DIA.	DIMENSION "A"	PART NUMBER	✓ SUBMITTED ITEM(S)
METER FLANGE	P.J. FOR IRON PIPE						
1-1/2"	1-1/2"	2-9/16"	3.6	23/32"	4"	▼ CF35-66	
2"	2"	2-13/16"	5.0	13/16"	4-1/2"	▼ CF35-77	

▼ UL Classified to ANSI/NSF Standard 61.



FEATURES

- All brass conforms to AWWA Standard C800 (ASTM B-62 and ASTM B-584, UNS NO C83600 - 85-5-5-5)
- EPDM rubber drop-in meter gaskets are included with all 1-1/2" and 2" flange meter couplings
- Body design provides wrench lugs to facilitate installation.

The Ford Meter Box Company considers the information in this submittal form to be correct at the time of publication. Item and option availability, including specifications, are subject to change without notice. Please verify that your product information is current.



The Ford Meter Box Company, Inc.

P.O. Box 443, Wabash, Indiana U.S.A. 46992-0443

Phone: 260-563-3171 / Fax: 800-826-3487

Overseas Fax: 260-563-0167

<http://www.fordmeterbox.com>

12/10/07

Submitted By: