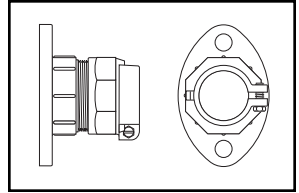
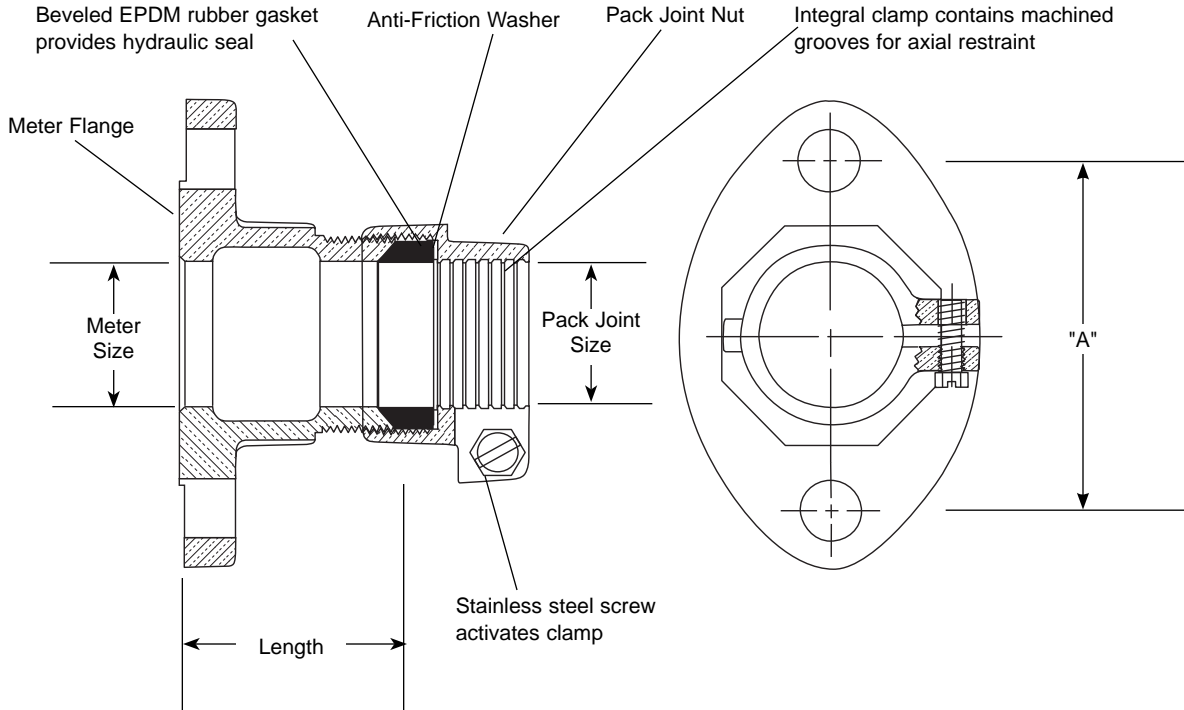


# SUBMITTAL INFORMATION

## Lok-Pak Meter Coupling - (CF37-xx style)



### METER FLANGE BY PACK JOINT FOR PVC PIPE



DESCRIPTION		LENGTH	APPROX. Wt. LBS	BOLT HOLE DIA.	DIMENSION "A"	PART NUMBER	✓ SUBMITTED ITEM(S)
METER FLANGE	P.J. FOR PVC						
1-1/2"	1-1/2"	2-9/16"	4.0	23/32"	4"	▼ CF37-66	
2"	2"	2-13/16"	6.0	13/16"	4-1/2"	▼ CF37-77	

▼ UL Classified to ANSI/NSF Standard 61.

**Note:** Ford Pack Joints for PVC are only recommended for Schedule 40 and Schedule 80 pipe.



### FEATURES

- All brass conforms to AWWA Standard C800 (ASTM B-62 and ASTM B-584, UNS NO C83600 - 85-5-5-5)
- EPDM rubber drop-in meter gaskets are included with all 1-1/2" and 2" flange meter couplings
- Body design provides wrench lugs to facilitate installation.

Optional slotted bolt holes on 2" flanges to accommodate 1-1/2" meters. Add "-SLOTTED" to end of catalog number.

The Ford Meter Box Company considers the information in this submittal form to be correct at the time of publication. Item and option availability, including specifications, are subject to change without notice. Please verify that your product information is current.



#### The Ford Meter Box Company, Inc.

P.O. Box 443, Wabash, Indiana U.S.A. 46992-0443

Phone: 260-563-3171 / Fax: 800-826-3487

Overseas Fax: 260-563-0167

<http://www.fordmeterbox.com>

12/10/07

Submitted By: