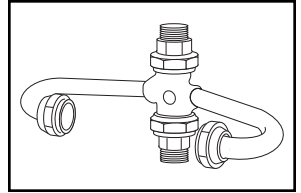
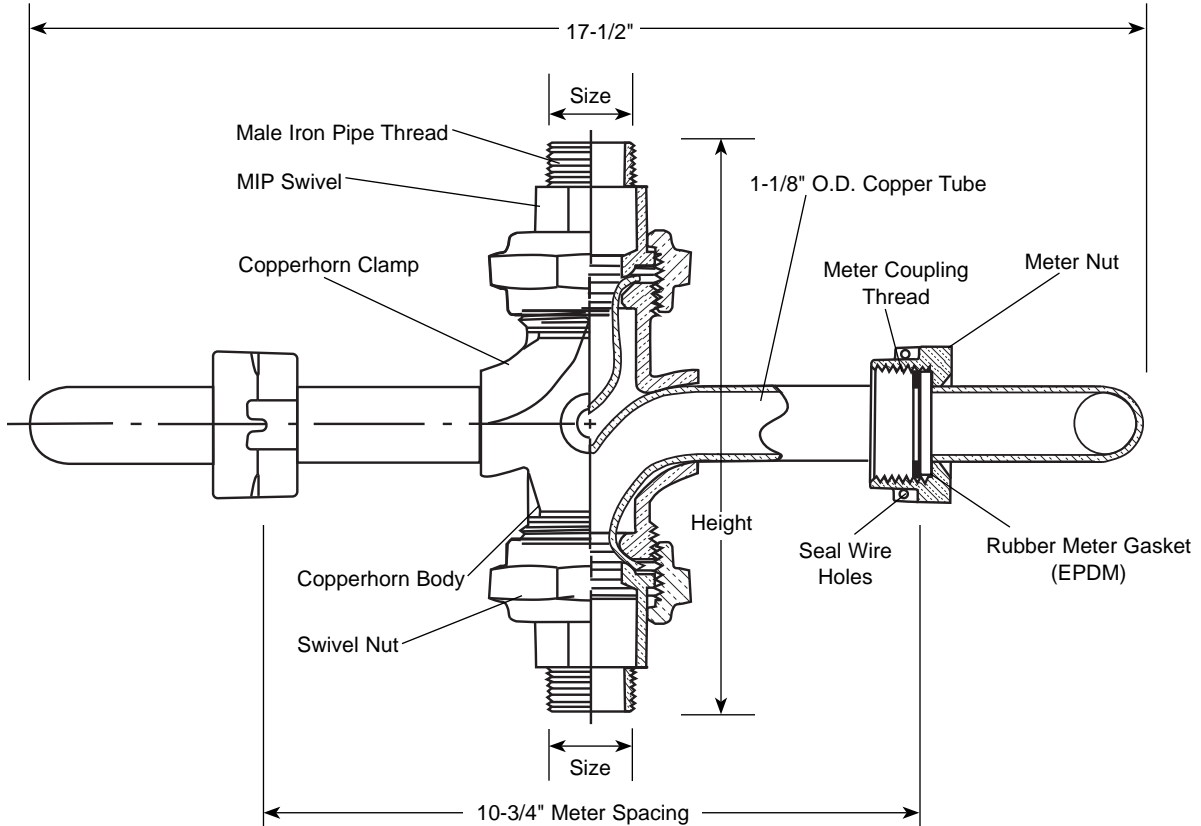


SUBMITTAL INFORMATION

Copperhorns - (CH88-444 style)



COPPERHORN WITH MALE IRON PIPE THREAD SWIVEL BOTH ENDS (1" METER)



ONE END	OTHER END	HEIGHT	APPROX. WT. LBS	CATALOG NUMBER	✓ SUBMITTED ITEM(S)
1"	1"	9"	6.1	CH88-444	

FEATURES

- All brass conforms to AWWA Standard C800 (ASTM B-62 and ASTM B-584, UNS NO C83600 - 85-5-5-5)
- Copperhorns automatically ensure proper spacing and orientation for meters.
- Permanent electrical bonding is provided without straps.
- Copper tubing with full diameter bends provides excellent flow capacity.
- Conforms to AWWA C700 for Meter Threads.
- Copper conforms to ASTM B-88, Copper Alloy #122.

The Ford Meter Box Company considers the information in this submittal form to be correct at the time of publication. Item and option availability, including specifications, are subject to change without notice. Please verify that your product information is current.



The Ford Meter Box Company, Inc.

P.O. Box 443, Wabash, Indiana U.S.A. 46992-0443

Phone: 260-563-3171 / Fax: 800-826-3487

Overseas Fax: 260-563-0167

<http://www.fordmeterbox.com>

10/23/07

Submitted By: