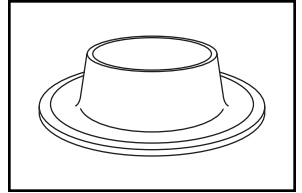
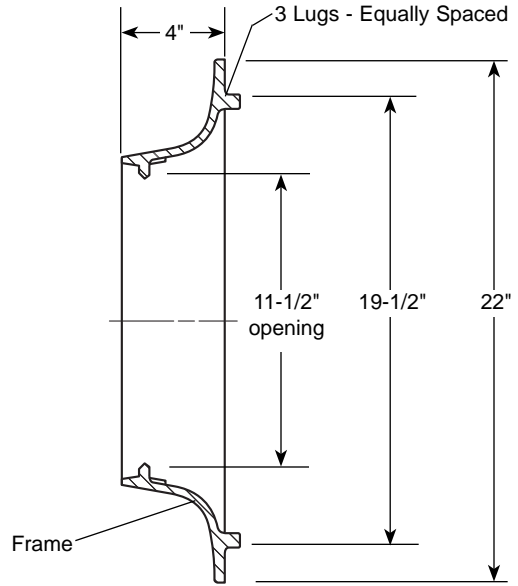
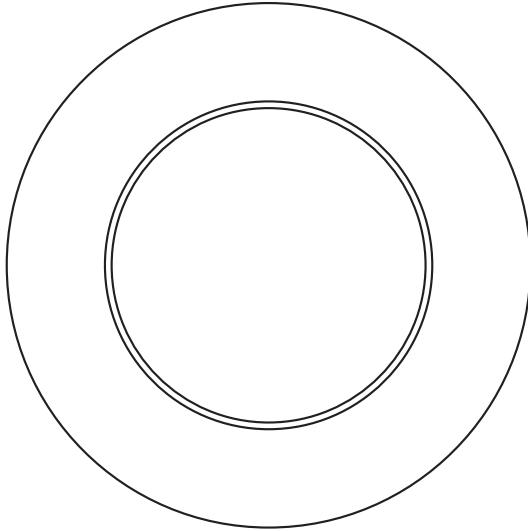


SUBMITTAL INFORMATION

Meter Box Frame - (FA3 style)



FRAME ONLY FOR 11-1/2" INSET LID FOR 20" TILE



*LID SIZE	TILE I.D.	APPROX. WT. LBS.	DESCRIPTION	CATALOG NUMBER	✓ SUBMITTED ITEM(S)
11-1/2"	20"	27.0	Cast iron frame for A3 cover	FA3	

* Lid size indicates approximate pit access opening; actual lid diameter is approximately 1" larger.
Lid is not included in this product.

FEATURES

- Frame and lid are cast iron per ASTM A48-92, Class 25
- Finish is black E-coating

The Ford Meter Box Company considers the information in this submittal form to be correct at the time of publication. Item and option availability, including specifications, are subject to change without notice. Please verify that your product information is current.



The Ford Meter Box Company, Inc.

P.O. Box 443, Wabash, Indiana U.S.A. 46992-0443

Phone: 260-563-3171 / Fax: 800-826-3487

Overseas Fax: 260-563-0167

<http://www.fordmeterbox.com>

10/01/09

Submitted By: