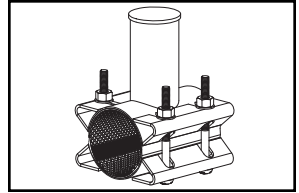


# SUBMITTAL INFORMATION

## Abandoned Corp Cap - (FACC-xxxx style)



### STAINLESS STEEL ABANDONED CORPORATION CAP

**Body**  
18-8 type 304 stainless steel for corrosion control

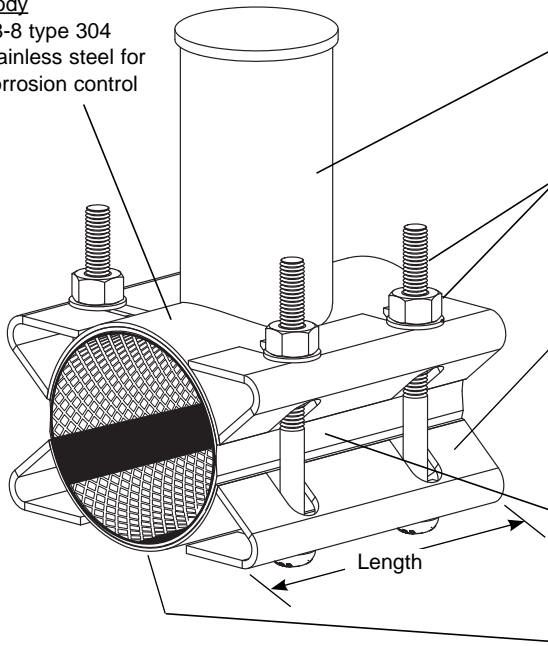
**Cap**  
18-8 type 304 stainless steel  
3" diameter standard for 1/2" - 1" Corp Stops

**Hardware**  
18-8 type 304 heavy gauge stainless steel UNC threads. Heavy hex nuts are coated to prevent galling.

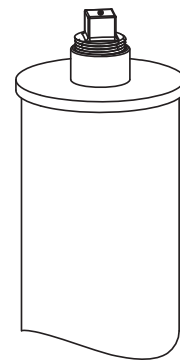
**Lugs**  
18-8 type 304 heavy gauge stainless steel cold formed for additional strength. MIG welded to body.

**Armors**  
Heavy gage type 18-8 stainless steel armors are molded flush into the gasket to bridge the gap between lugs.

**Gasket**  
Gridded virgin SBR compounded for water service per ASTM D2000. Full gasket gives 360° coverage. The outlet gasket is Buna-N (NBR).



**Optional Test Plug**  
Waterworks brass 3/4" with standard square head



NOMINAL PIPE SIZE	RANGE	PART NUMBER	SLEEVE LENGTH	APPROX. WT. (LBS.)	✓ SUBMITTED ITEMS
4"	4.50-4.80	FACC-480	8"	16.0	
	4.80-5.00	FACC-500	8"	16.0	
	5.10-5.30	FACC-530	8"	16.0	
	5.20-5.40	FACC-540	8"	16.0	
6"	6.63-7.00	FACC-700	8"	17.0	
	6.90-7.30	FACC-730	8"	17.0	
	7.30-7.50	FACC-750	8"	17.0	
8"	8.63-9.05	FACC-905	8"	18.0	
	9.05-9.30	FACC-930	8"	19.0	
	9.30-9.60	FACC-960	8"	19.0	
	9.45-9.75	FACC-975	8"	19.0	
10"	10.75-11.10	FACC-1110	8"	20.0	
	11.10-11.40	FACC-1140	8"	20.0	
	11.40-11.70	FACC-1170	8"	20.0	
	11.85-12.15	FACC-1215	8"	20.0	
12"	12.75-13.20	FACC-1320	8"	21.0	
	13.20-13.50	FACC-1350	8"	21.0	
	13.50-13.80	FACC-1380	8"	21.0	
	14.10-14.40	FACC-1440	8"	22.0	

### FEATURES

- Body, strap and UNC threaded fasteners all made of 18-8 type 304 stainless steel
- 300 psi working water pressure
- Made in the United States of America
- Optional test plug, add -TP to end of part number (Example: FACC-930-TP)
- Optional 5" diameter cap to encapsulate 1-1/4" through 2" corporation stops, add "-XL" following the sleeve O.D. (Example FACC-930-XL)

The Ford Meter Box Company considers the information in this submittal form to be correct at the time of publication. Item and option availability, including specifications, are subject to change without notice. Please verify that your product information is current.



**The Ford Meter Box Company, Inc.**  
P.O. Box 443, Wabash, Indiana U.S.A. 46992-0443  
Phone: 260-563-3171 / Fax: 800-826-3487  
Overseas Fax: 260-563-0167  
<http://www.fordmeterbox.com>

07/07/09

Submitted By: