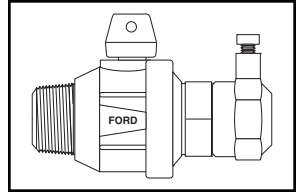
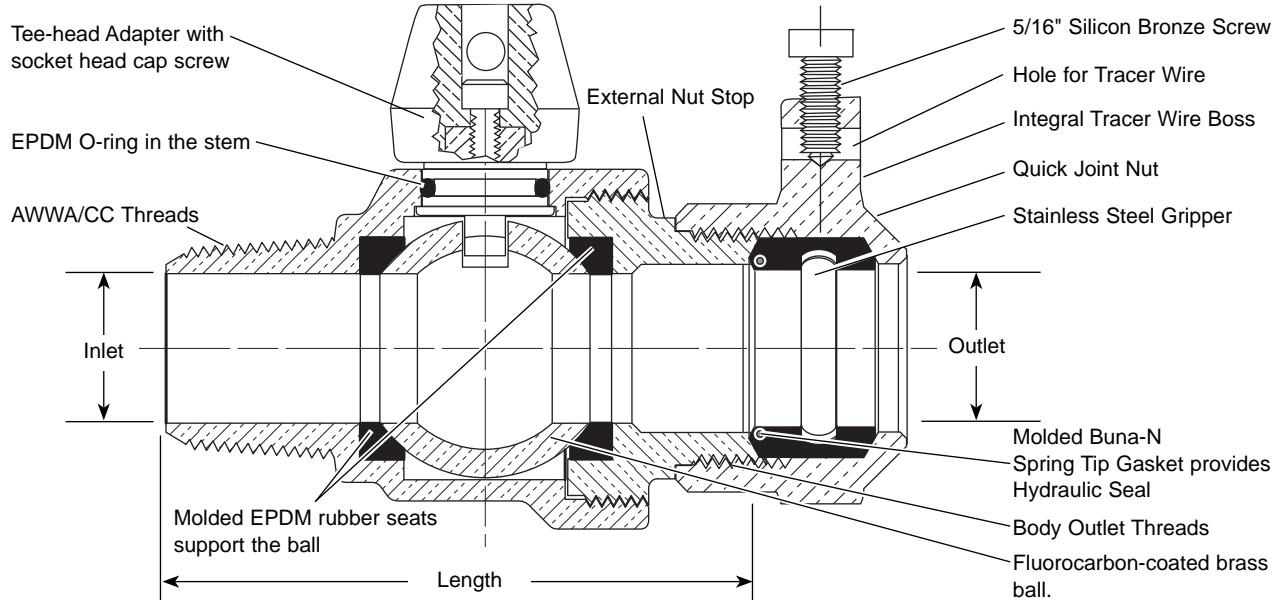


# SUBMITTAL INFORMATION

**Ballcorp Corporation Stops - (FB1000-x-TA-TW-Q-NL style)**



## AWWA/CC TAPER THREAD INLET BY QUICK JOINT FOR COPPER OR PLASTIC TUBING (CTS) OUTLET WITH TRACER WIRE OPTION



VALVE SIZE	INLET SIZE	OUTLET SIZE	VALVE LENGTH	BODY OUTLET THREADS	APPROX. WT. LBS	PART NUMBER	✓ SUBMITTED ITEM(S)
3/4"	3/4"	3/4"	4-7/16"	3/4" Flare Copper	1.9	FB1000-3-TA-TW-Q-NL	
1"	1"	1"	4-9/16"	1" Flare Copper	2.8	FB1000-4-TA-TW-Q-NL	
1-1/4"	1-1/4"	1-1/4"	6-7/16"	1-1/4" Special Thread	4.9	FB1000-5-TA-TW-Q-NL	
1-1/2"	1-1/2"	1-1/2"	6-7/16"	1-1/2" Special Thread	6.2	FB1000-6-TA-TW-Q-NL	
2"	2"	2"	6-7/8"	2" Special Thread	9.8	FB1000-7-TA-TW-Q-NL	

**Note:** Ford recommends using insert stiffeners with plastic pipe or tubing.



### FEATURES

- All brass that comes in contact with potable water conforms to AWWA Standard C800 (UNS NO C89833)
- Brass components that do not come in contact with potable water conform to AWWA Standard C800 (ASTM B-62 and ASTM B-584, UNS NO C83600 - 85-5-5-5)
- The product has the letters "NL" cast into the main body for proper identification
- UL Classified to ANSI/NSF Standard 61 and Annex G
- Ends are integral or secured with adhesive to prevent unintentional disassembly
- 300 PSI working pressure
- Tee-head adapter provides larger flats for wrench placement to cycle valve
- 1/4" diameter hole drilled in Quick Joint Nut boss to accommodate Tracer Wire

The Ford Meter Box Company considers the information in this submittal form to be correct at the time of publication. Item and option availability, including specifications, are subject to change without notice. Please verify that your product information is current.



**The Ford Meter Box Company, Inc.**

P.O. Box 443, Wabash, Indiana U.S.A. 46992-0443

Phone: 260-563-3171 / Fax: 800-826-3487

Overseas Fax: 260-563-0167

<http://www.fordmeterbox.com>

08/16/10

Submitted By: