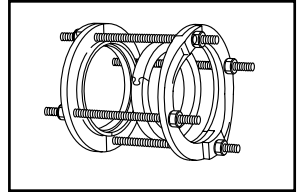
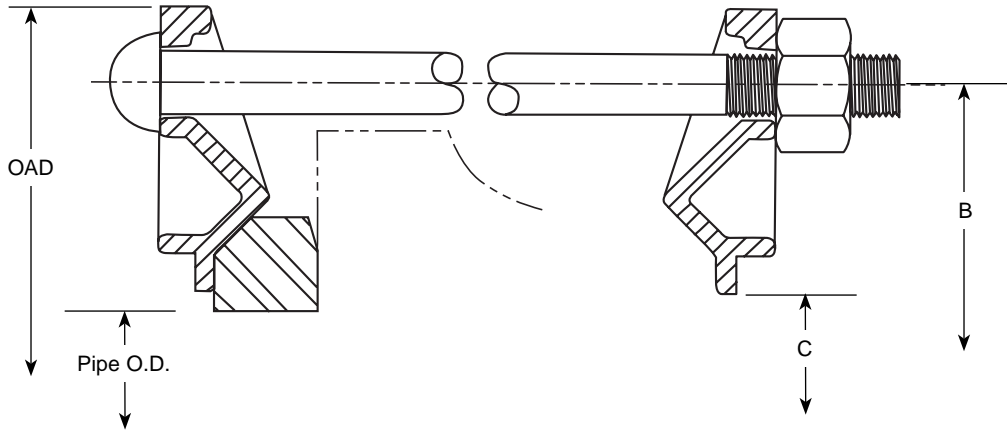


SUBMITTAL INFORMATION

Bell Joint Leak Clamp - (FBC-xxx-C900 style)



BELL JOINT REPAIR CLAMPS FOR C900 PVC



C900 PVC (Buna-N Gasket)

NOM. PIPE SIZE	OVERALL PIPE O.D.	DIAMETER (OAD)	DIAMETER (B)	CLAMP I.D. (C)	BOLT		APPROX. WT. LBS.	CATALOG NUMBER	✓ SUBMITTED ITEM(S)
					SIZE (IN.)	QTY.			
4"	4.80-5.00	10-13/16"	9-5/16"	5-3/16"	5/8 x 13-1/2	4	16	FBC-500-C900	
6"	6.90-7.10	13-1/16"	11-9/16"	7-1/4"	5/8 x 13-1/2	4	19	FBC-710-C900	
8"	9.05-9.30	15-7/8"	14-3/8"	9-7/16"	5/8 x 15-1/2	4	21	FBC-930-C900	
10"	11.10-11.40	17-3/4"	16-1/4"	11-9/16"	5/8 x 17-1/2	6	27	FBC-1140-C900	
12"	13.20-13.50	20-1/16"	18-9/16"	13-5/8"	5/8 x 20	6	31	FBC-1350-C900	

FEATURES

- Repair leaking bell joints on PVC C900 without cutting out the joint.
- Body: Ductile Iron ASTM A536.
- Gaskets: Buna-N rubber per ASTM C111.
- Bolts and Nuts: Low alloy ASTM A242 and AWWA C111.

The Ford Meter Box Company considers the information in this submittal form to be correct at the time of publication. Item and option availability, including specifications, are subject to change without notice. Please verify that your product information is current.



The Ford Meter Box Company, Inc.

P.O. Box 443, Wabash, Indiana U.S.A. 46992-0443

Phone: 260-563-3171 / Fax: 800-826-3487

Overseas Fax: 260-563-0167

<http://www.fordmeterbox.com>

06/26/03

Submitted By: