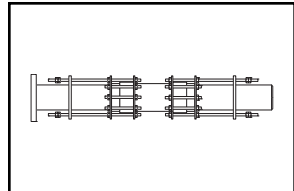
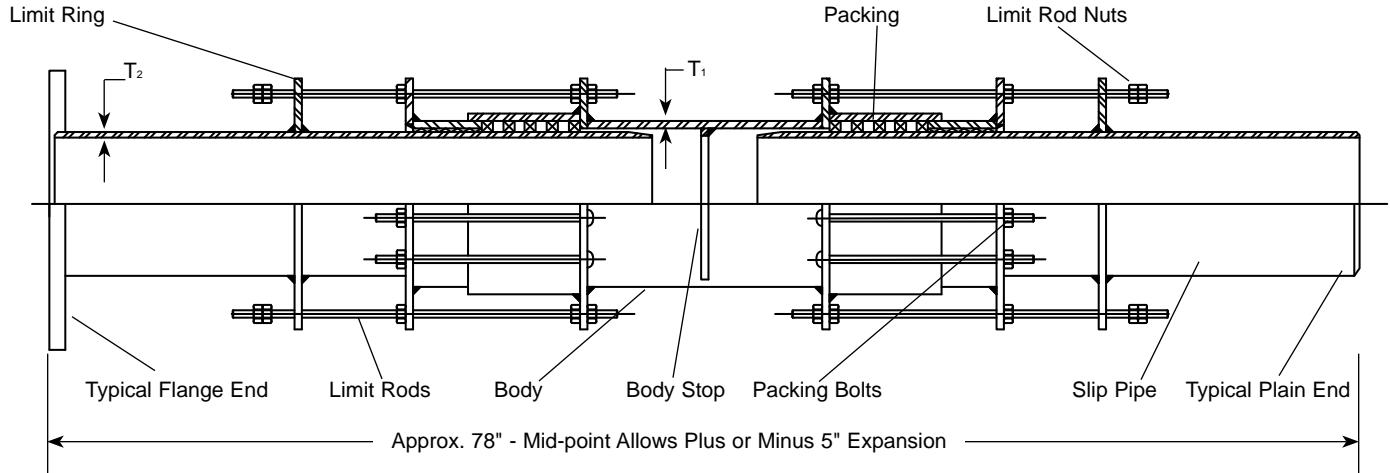


SUBMITTAL INFORMATION

Steel Expansion Joint - (FEJ2-xxx-x style)



DOUBLE EXPANSION JOINT COUPLING WITH FLANGED OR PLAIN ENDS



NOM. PIPE SIZE	PIPE O.D.	MAX / MIN LENGTH	T1	T2	TYPE OF END CONNECTION	RATED WORKING PRESSURE	APPROX. WEIGHT POUNDS	CATALOG NUMBER	✓ SUBMITTED ITEM(S)
4"	4.50	83" / 73"	3/8"	1/4"	Plain	150 PSI	148	FEJ2-450-P	
					Flanged		165	FEJ2-450-F	
6"	6.63				Plain		310	FEJ2-663-P	
					Flanged		331	FEJ2-663-F	
8"	8.63				Plain		340	FEJ2-863-P	
					Flanged		370	FEJ2-863-F	
10"	10.75				Plain		447	FEJ2-1075-P	
					Flanged		487	FEJ2-1075-F	
12"	12.75				Plain		551	FEJ2-1275-P	
					Flanged		318	FEJ2-1275-F	
14"	14.00				Plain		514	FEJ2-1400-P	
					Flanged		602	FEJ2-1400-F	
16"	16.00				Plain	587	FEJ2-1600-P		
					Flanged	711	FEJ2-1600-F		
18"	18.00				Plain	662	FEJ2-1800-P		
					Flanged	788	FEJ2-1800-F		
20"	20.00				Plain	738	FEJ2-2000-P		
					Flanged	895	FEJ2-2000-F		
24"	24.00				Plain	887	FEJ2-2400-P		
					Flanged	1103	FEJ2-2400-F		

FEATURES

- Body: Carbon Steel ASTM A-36
- Slip Pipe: Nickel Chrome plated.
- Ends: Plain end beveled for field welding, or Steel Flange per AWWA C207 Class D - ANSI 150 lb. Drilling
- Limit-Rods: 5/8" cold rolled Carbon Steel per AISI 4140, minimum yield 90,000 psi.
- Packing: Adjustable - consisting of Buna-N rubber and Jute, Navy Grade Flax with Tallow.
- Finish: Black Shop Coat

The Ford Meter Box Company considers the information in this submittal form to be correct at the time of publication. Item and option availability, including specifications, are subject to change without notice. Please verify that your product information is current.



The Ford Meter Box Company, Inc.

P.O. Box 443, Wabash, Indiana U.S.A. 46992-0443

Phone: 260-563-3171 / Fax: 800-826-3487

Overseas Fax: 260-563-0167

<http://www.fordmeterbox.com>

05/09/07

Submitted By: