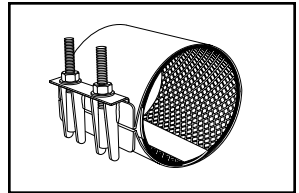


# SUBMITTAL INFORMATION

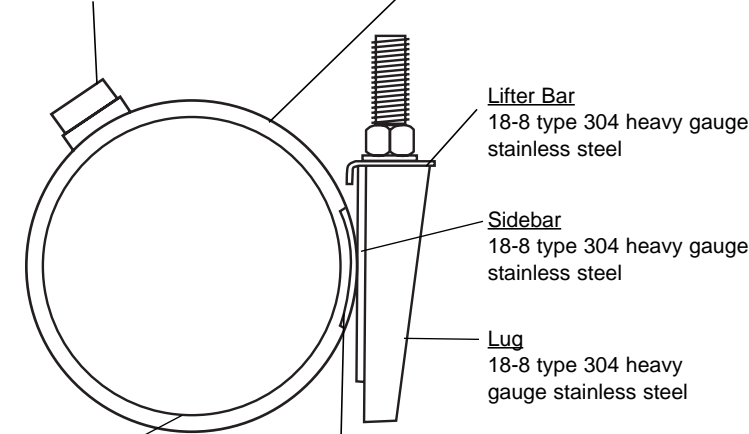
## Repair Clamps - (FS1-xxxx style)



### 10" AND 12" ALL STAINLESS STEEL CIRCLE REPAIR CLAMPS

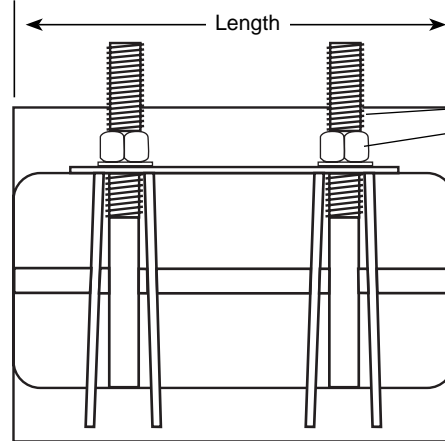
**Optional Stainless Taps**  
18-8 type 304 stainless steel tig welded to band. Available with AWWA or I.P. threads.

**Band**  
18-8 type 304 stainless steel



**Gasket**  
Gridded virgin SBR compounded for water service, per ASTM D2000. Buna-N Nitrile is optional.

**Armor**  
18-8 type 304 heavy gauge stainless steel, mold bonded into the gasket to ensure uniform compression against the pipe



#### OUTLET THREAD TAP CODE

CC (AWWA) THREAD		IP THREAD	
THREAD	CODE NUMBER	THREAD	CODE No.
3/4" CC	-CC3	3/4" IP	-IP3
1" CC	-CC4	1" IP	-IP4
1-1/4" CC	-CC5	1-1/4" IP	-IP5
1-1/2" CC	-CC6	1-1/2" IP	-IP6
2" CC	-CC7	2" IP	-IP7

\* Nylatron GS is a registered trademark of the Polymer Corporation.

NOM. PIPE SIZE	PIPE O.D. RANGE	LENGTH AND APPROXIMATE WEIGHT (LBS.)							BOLT SIZE	BAND THICKNESS	CATALOG NUMBER FS1-XXXX-LENGTH	✓ SUBMITTED ITEM(S)
		7.5"	10"	12.5"	15"	20"	24"	30"				
10"	9.70 - 10.10	11	14	16	24	28	32	42	5/8" 11 UNC	20 GA.	▼ FS1-1010-	
	10.64 - 11.04										▼ FS1-1104-	
	11.04 - 11.44										▼ FS1-1144-	
	11.34 - 11.74										▼ FS1-1174-	
	11.75 - 12.15										▼ FS1-1215-	
12"	12.00 - 12.40	13	16	18	27	30	36	48			▼ FS1-1240-	
	12.62 - 13.02										▼ FS1-1302-	
	13.10 - 13.50										▼ FS1-1350-	
	13.40 - 13.80										▼ FS1-1380-	
	13.70 - 14.10										▼ FS1-1410-	
	14.00 - 14.40										▼ FS1-1440-	
Number of Bolts		2	3	4	4	6	7	9			▼ UL Classified to ANSI/NSF Standard 61.	

#### FEATURES

- Buna-N Gasket and Conductivity Strips are available.
- Also available in two-and three- section clamps for a wider range of pipe sizes and tolerances.
- Optional Outlet Taps are available for repair of service line pull-outs. Add tapping code to Catalog Number.
- All welds are fully passivated to restore corrosion resistant characteristics of stainless steel.

The Ford Meter Box Company considers the information in this submittal form to be correct at the time of publication. Item and option availability, including specifications, are subject to change without notice. Please verify that your product information is current.



**The Ford Meter Box Company, Inc.**

P.O. Box 443, Wabash, Indiana U.S.A. 46992-0443

Phone: 260-563-3171 / Fax: 800-826-3487

Overseas Fax: 260-563-0167

http://www.fordmeterbox.com

03/31/05

Submitted By: