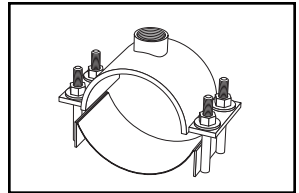
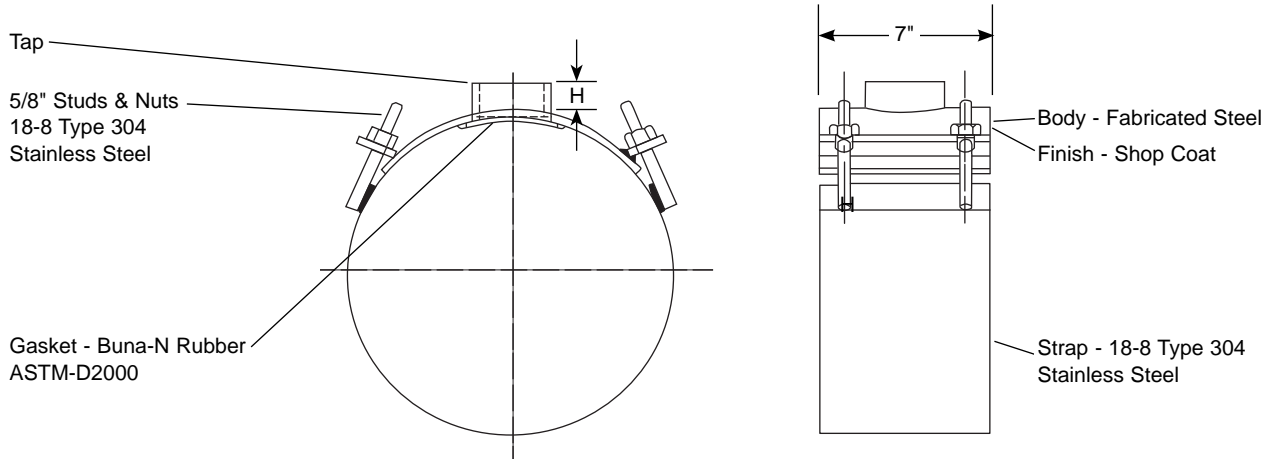


SUBMITTAL INFORMATION

Fabricated Steel Saddle - (FS202-3830-xxx style)



36" FABRICATED STEEL SADDLE WITH STAINLESS STEEL BAND



NOM. PIPE SIZE	ACTUAL PIPE O.D.	BOSS HEIGHT H	APPROX. WT. LBS.	CATALOG NUMBER	✓ SUBMITTED ITEM(S)
36"	38.30	1-1/2"	35.0	FS202-3830-Tap	

OUTLET THREAD TAP CODE

CC (AWWA) THREAD			IP THREAD		
THREAD	CODE No.	✓ SUBMITTED ITEM(S)	THREAD	CODE No.	✓ SUBMITTED ITEM(S)
3/4" CC	CC3		3/4" IP	IP3	
1" CC	CC4		1" IP	IP4	
1-1/4" CC	CC5		1-1/4" IP	IP5	
1-1/2" CC	CC6		1-1/2" IP	IP6	
2" CC	CC7		2" IP	IP7	
			2-1/2" IP	IP8	

FEATURES

- 150 PSI working pressure, dependent upon industry standard support and backfill practices.
- Boss tapped with iron pipe threads.

The Ford Meter Box Company considers the information in this submittal form to be correct at the time of publication. Item and option availability, including specifications, are subject to change without notice. Please verify that your product information is current.



The Ford Meter Box Company, Inc.

P.O. Box 443, Wabash, Indiana U.S.A. 46992-0443

Phone: 260-563-3171 / Fax: 800-826-3487

Overseas Fax: 260-563-0167

<http://www.fordmeterbox.com>

08/16/07

Submitted By: