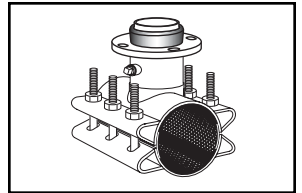
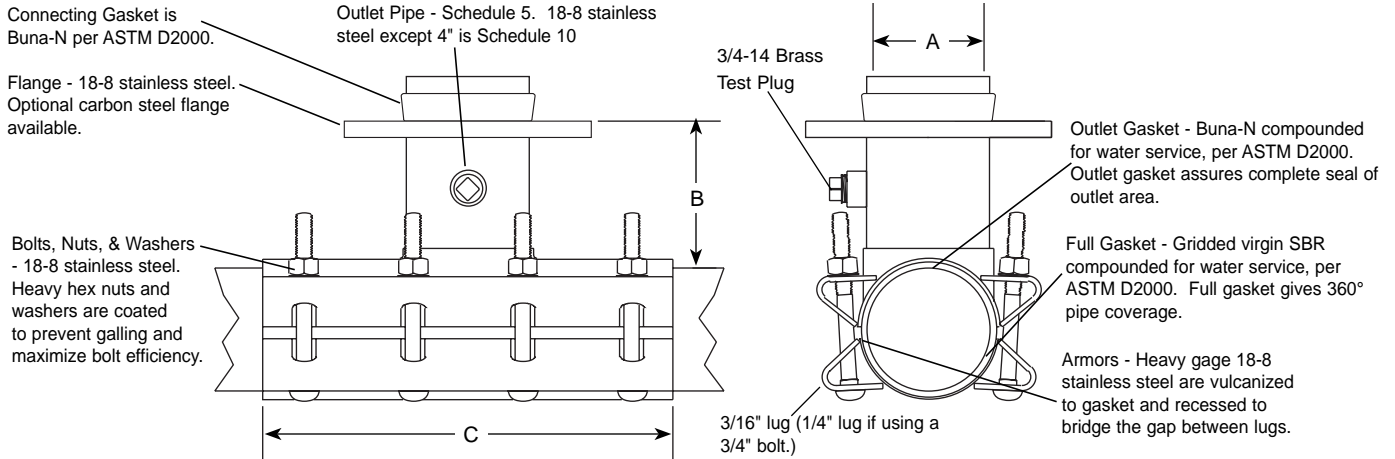


SUBMITTAL INFORMATION

Stainless Steel Tapping Sleeve 4"-12" - (FTSS-xxx-x-MJ style)



STAINLESS STEEL TAPPING SLEEVE WITH MECHANICAL JOINT OUTLET



NOM. PIPE SIZE	SLEEVE O.D. RANGE	CATALOG NUMBER	By	SS.** OUTLET SIZE/CODE	APPROX. WT.	NOMINAL DIMENSIONS - INCHES			SADDLE THICKNESS (GAGE)	STRAP THICKNESS (GAGE)	BOLT SIZE	No. BOLTS	✓ SUBMITTED ITEM(S)																	
						A	B	C																						
4"	4.50-4.80	FTSS-480-	X	4 -MJ	38	4-1/4	5-3/16	15	.105" (12)	.075" (14)	5/8"x6-1/2"	8																		
	4.80-5.00	FTSS-500-																												
	5.10-5.30	FTSS-530-																												
	5.20-5.40	FTSS-540-																												
6"	6.63-7.00	FTSS-700-	X	4 -MJ	42	4-1/4	5-3/16	15	.105" (12)	.075" (14)	5/8"x6-1/2"	8																		
	6.90-7.10	FTSS-710-																												
	7.10-7.30	FTSS-730-											6 -MJ	47	6-3/8	5-1/2	15	.105" (12)	.075" (14)	5/8"x6-1/2"	8									
	7.30-7.50	FTSS-750-																												
8"	8.63-9.05	FTSS-905-	X	4 -MJ	42	4-1/4	5-3/16	15	.105" (12)	.075" (14)	5/8"x6-1/2"	8																		
	9.05-9.30	FTSS-930-											6 -MJ	49	6-3/8	5-1/2	15	.105" (12)	.075" (14)	5/8"x6-1/2"	8									
	9.30-9.60	FTSS-960-																												
	9.45-9.75	FTSS-975-																												
10"	10.75-11.10	FTSS-1110-	X	4 -MJ	47	4-1/4	5-3/16	15	.105" (12)	.075" (14)	5/8"x6-1/2"	8																		
	11.10-11.40	FTSS-1140-											6 -MJ	53	6-3/8	5-1/2	15	.105" (12)	.075" (14)	5/8"x6-1/2"	8									
	11.40-11.70	FTSS-1170-																				8 -MJ	79	8-5/16	5-5/8	20	.105" (12)	.075" (14)	5/8"x6-1/2"	12
	11.85-12.15	FTSS-1215-																												
12"	12.75-13.20	FTSS-1320-	X	4 -MJ	50	4-1/4	5-3/16	15	.105" (12)	.075" (14)	5/8"x6-1/2"	8																		
	13.20-13.50	FTSS-1350-											6 -MJ	55	6-3/8	5-1/2	15	.105" (12)	.075" (14)	5/8"x6-1/2"	8									
	13.50-13.80	FTSS-1380-																				8 -MJ	86	8-5/16	5-5/8	20	.105" (12)	.075" (14)	5/8"x6-1/2"	12
	14.10-14.40	FTSS-1440-																												
				12 -MJ	138	12-1/4	6-1/4	24			3/4"x8-1/2"	14																		

** To order: Add Flanged Outlet Size to catalog number. Example: The complete FTSS catalog number for a 6" pipe (6.90 O.D.) with a 4" stainless steel flange is FTSS-710-4-MJ. For a carbon steel flange, add "A" to the catalog number. Example: FTSS-710-4A-MJ

FEATURES

- Body, Straps and UNC threaded bolts are made of 18-8 stainless steel. Flange can be either 18-8 Stainless Steel or ASTM A36 Carbon Steel.
- All welds are fully passivated for corrosion resistance.
- Outlet gaskets are Buna-N rubber (ASTM 2000).

The Ford Meter Box Company considers the information in this submittal form to be correct at the time of publication. Item and option availability, including specifications, are subject to change without notice. Please verify that your product information is current.



The Ford Meter Box Company, Inc.

P.O. Box 443, Wabash, Indiana U.S.A. 46992-0443

Phone: 260-563-3171 / Fax: 800-826-3487

Overseas Fax: 260-563-0167

<http://www.fordmeterbox.com>

02/03/05

Submitted By: