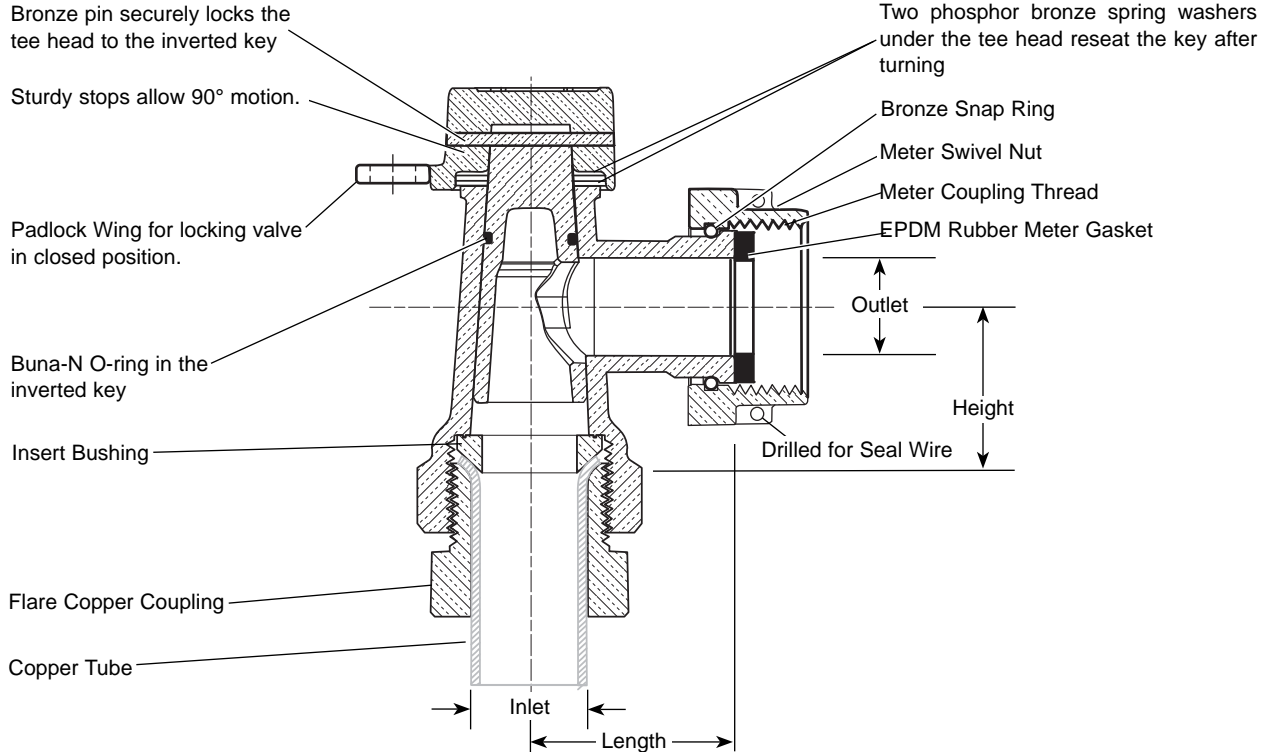


SUBMITTAL INFORMATION

Angle Key Meter Valves - (KV23-332W-OS-NL style)



OLD STYLE FLARE COPPER INLET BY METER SWIVEL NUT OUTLET



VALVE SIZE	SERVICE LINE SIZE INLET	METER SIZE OUTLET	LENGTH	HEIGHT	APPROX. WT. LBS	PART NUMBER	✓ SUBMITTED ITEM(S)
3/4"	3/4"	5/8"x3/4" & 3/4"	1-5/8"	1-5/16"	1.6	KV23-332W-OS-NL	



FEATURES

- All brass that comes in contact with potable water conforms to AWWA Standard C800 (UNS NO C89833)
- Brass components that do not come in contact with potable water conform to AWWA Standard C800 (ASTM B-62 and ASTM B-584, UNS NO C83600 - 85-5-5-5)
- Padlock Wing for locking valve in closed position
- Meets 100 PSI working pressure requirement of AWWA Standard C800
- Conforms to AWWA C700 for meter threads
- UL Classified to ANSI/NSF Standard 61
- The product has the letters "NL" cast into the main body for proper identification

The Ford Meter Box Company considers the information in this submittal form to be correct at the time of publication. Item and option availability, including specifications, are subject to change without notice. Please verify that your product information is current.



The Ford Meter Box Company, Inc.

P.O. Box 443, Wabash, Indiana U.S.A. 46992-0443

Phone: 260-563-3171 / Fax: 800-826-3487

Overseas Fax: 260-563-0167

<http://www.fordmeterbox.com>

08/03/09

Submitted By: