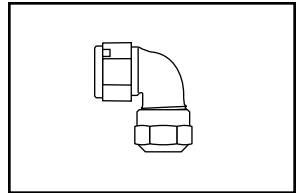
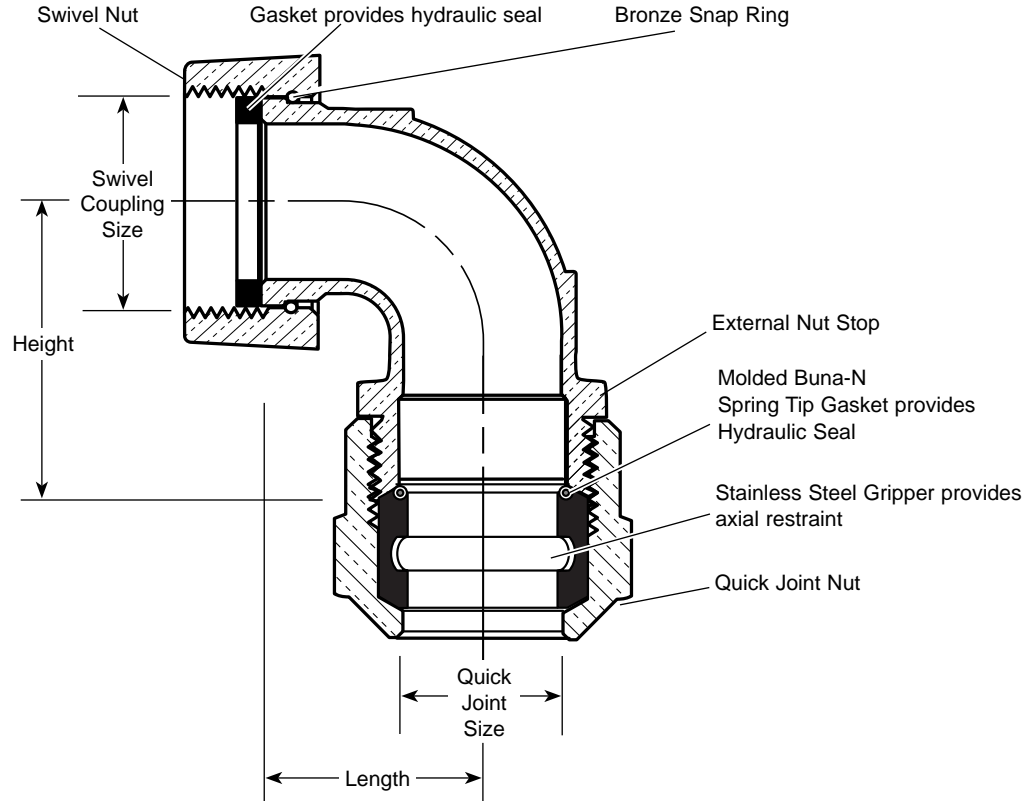


SUBMITTAL INFORMATION

Corporation Stop Coupling - (L104-33S-Q style)



SWIVEL NUT INLET BY QUICK JOINT FOR COPPER OR PLASTIC TUBING (CTS) OUTLET



CORP SIZE	DESCRIPTION		LENGTH	HEIGHT	APPROX. WT. LBS	PART NUMBER	✓ SUBMITTED ITEM(S)
	SWIVEL COUPLING	Q.J FOR CTS					
3/4"	3/4"	3/4"	1-13/16"	1-3/4"	-	L104-33S-Q	

Note: Ford recommends insert stiffeners when using plastic pipe or tubing

FEATURES

- All brass conforms to AWWA Standard C800 (ASTM B-62 and ASTM B-584, UNS NO C83600 - 85-5-5-5)
- Fits F200 and F300 Corporation Stops. Gasket is included.

The Ford Meter Box Company considers the information in this submittal form to be correct at the time of publication. Item and option availability, including specifications, are subject to change without notice. Please verify that your product information is current.



The Ford Meter Box Company, Inc.

P.O. Box 443, Wabash, Indiana U.S.A. 46992-0443

Phone: 260-563-3171 / Fax: 800-826-3487

Overseas Fax: 260-563-0167

<http://www.fordmeterbox.com>

04/18/07

Submitted By: