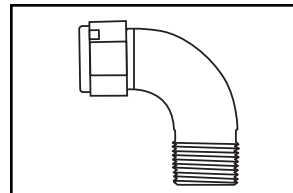
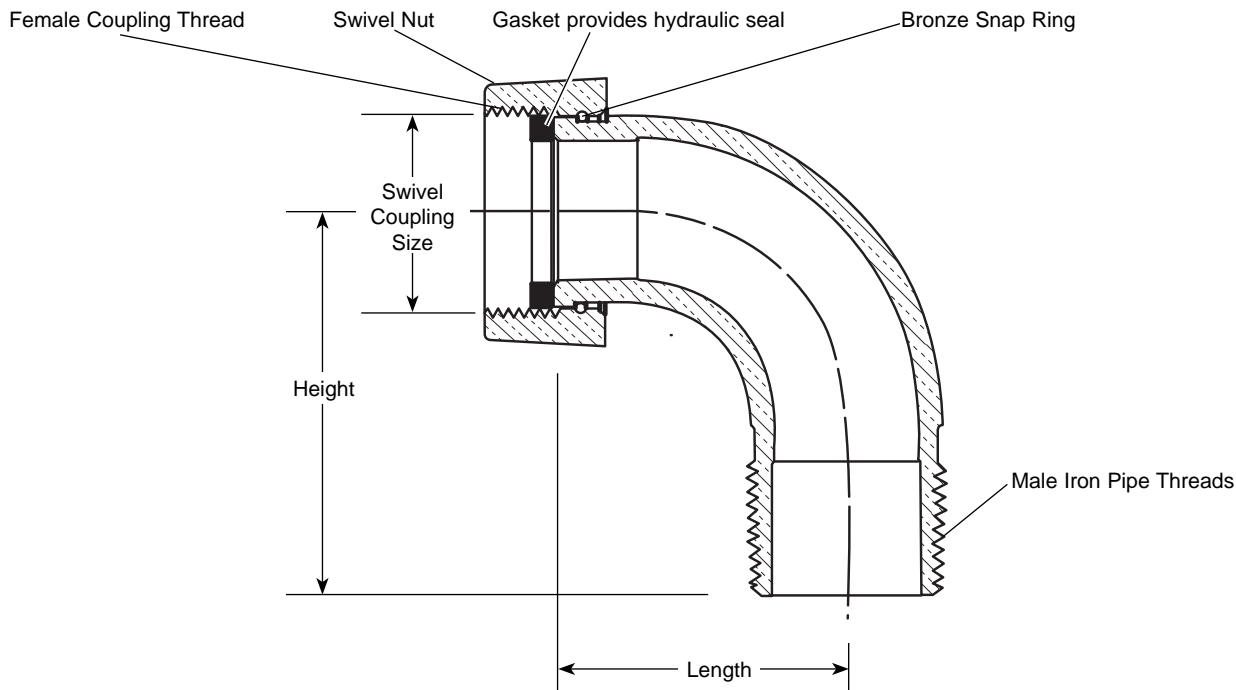


SUBMITTAL INFORMATION

Corporation Stop Ell - (L108-44S style)



COUPLING THREAD SWIVEL NUT INLET BY MALE IRON PIPE THREAD OUTLET



CORP SIZE	DESCRIPTION		LENGTH	HEIGHT	APPROX. WT. LBS	PART NUMBER	✓ SUBMITTED ITEM(S)
	SWIVEL COUPLING	MALE IRON PIPE					
1"	1"	1"	2"	2-9/16"	1.1	L108-44S	

FEATURES

- All brass conforms to AWWA Standard C800 (ASTM B-62 and ASTM B-584, UNS NO C83600 - 85-5-5-5)
- Fits F200 and F300 Corporation Stops. Gasket is included.
- Swivel Nut Inlet allows proper outlet positioning without compromising installation torque.

The Ford Meter Box Company considers the information in this submittal form to be correct at the time of publication. Item and option availability, including specifications, are subject to change without notice. Please verify that your product information is current.



The Ford Meter Box Company, Inc.

P.O. Box 443, Wabash, Indiana U.S.A. 46992-0443

Phone: 260-563-3171 / Fax: 800-826-3487

Overseas Fax: 260-563-0167

<http://www.fordmeterbox.com>

04/18/07

Submitted By: