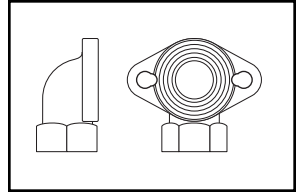
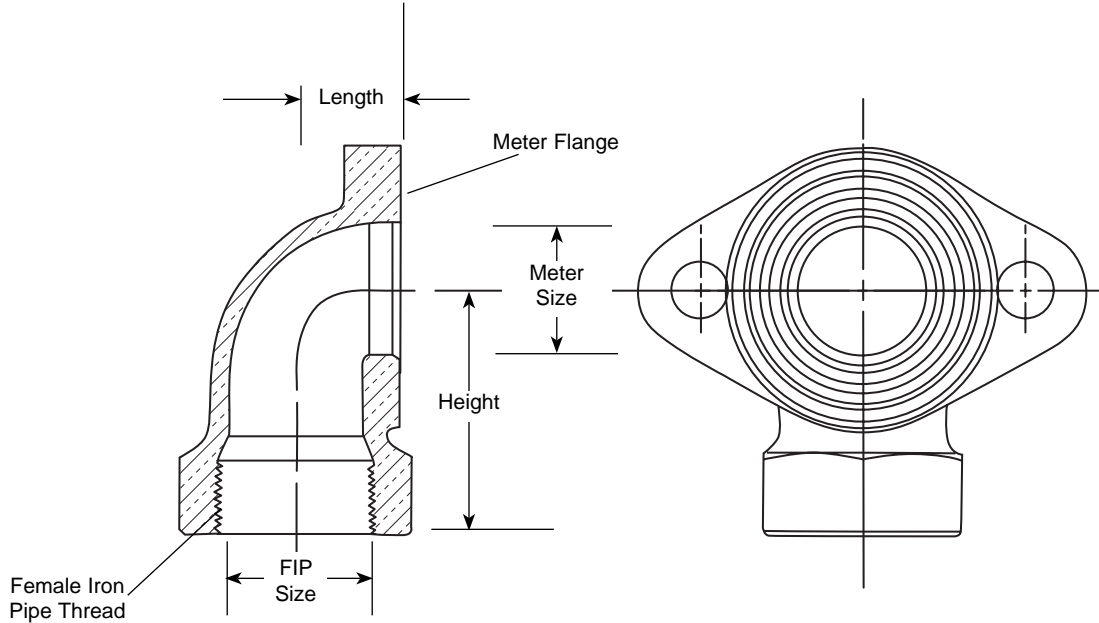


SUBMITTAL INFORMATION

Flange Meter Ell - (LF31-xx style)



METER FLANGE BY FEMALE IRON PIPE THREAD



DESCRIPTION		LENGTH	HEIGHT	APPROX. WT. LBS	PART NUMBER	✓ SUBMITTED ITEM(S)
METER FLANGE	FIP THREAD					
1-1/2"	1-1/2"	1-1/4"	2-15/16"	3.8	▼▼ LF31-66	
1-1/2"	2"	1-1/4"	3"	4.3	▼▼ LF31-67	
1-1/2" & 2"	2"	1-1/2"	3-1/8"	4.9	▼▼ LF31-77	



▼▼ Add "-K" to end of catalog number for item to be UL classified to ANSI/NSF Standard 61.

FEATURES

- All brass conforms to AWWA Standard C800 (ASTM B-62 and ASTM B-584, UNS NO C83600 - 85-5-5-5)
- EPDM drop-in rubber gaskets are included with all 1-1/2" and 2" flange ells
- Slotted bolt holes on 2" Meter Flanges accommodate 1-1/2" meter
- Body design provides wrench flats to facilitate installation.

Optional Meter Support Brackets: Add "-MSB" to part number.

The Ford Meter Box Company considers the information in this submittal form to be correct at the time of publication. Item and option availability, including specifications, are subject to change without notice. Please verify that your product information is current.



The Ford Meter Box Company, Inc.

P.O. Box 443, Wabash, Indiana U.S.A. 46992-0443

Phone: 260-563-3171 / Fax: 800-826-3487

Overseas Fax: 260-563-0167

<http://www.fordmeterbox.com>

07/13/04

Submitted By: