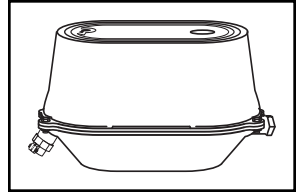


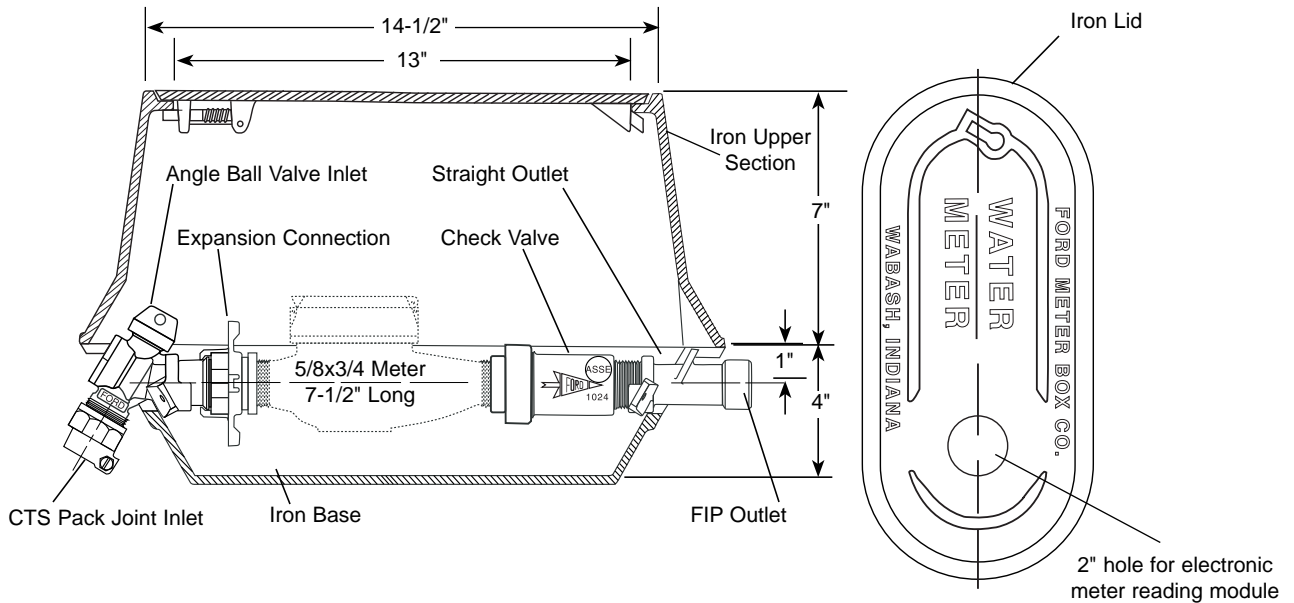
# SUBMITTAL INFORMATION

## Long Yokebox - (LYLB241-2xx-T style)



PACK JOINT FOR COPPER OR PLASTIC TUBING (CTS) INLET BY FEMALE IRON PIPE THREAD OUTLET

ANGLE BALL VALVE BY STRAIGHT DUAL CARTRIDGE CHECK VALVE



METER SIZE	CTS PJ INLET	FIP OUTLET	APPROX. WT. LBS.	CATALOG NUMBER	✓ SUBMITTED
5/8" x 3/4"	3/4"	3/4"	47.0	LYLB241-233-T	
	1"	3/4"	47.0	LYLB241-243-T	

**Note:** Ford recommends using insert stiffeners with plastic pipe or tubing.

### FEATURES

- All brass conforms to AWWA Standard C800 (ASTM B-62 and ASTM B-584, UNS NO C83600 - 85-5-5-5)
- Base, upper section and lid are cast iron per ASTM A48, Class 25.
- The dual cartridge check valve is ASSE 1024 approved.
- The brass end fittings are permanently and properly spaced and aligned for the meter.
- Finish is black E-coating.
- Lockless lid is available. Add "-LL" to catalog number.

The Ford Meter Box Company considers the information in this submittal form to be correct at the time of publication. Item and option availability, including specifications, are subject to change without notice. Please verify that your product information is current.



#### The Ford Meter Box Company, Inc.

P.O. Box 443, Wabash, Indiana U.S.A. 46992-0443

Phone: 260-563-3171 / Fax: 800-826-3487

Overseas Fax: 260-563-0167

<http://www.fordmeterbox.com>

04/23/07

Submitted By: