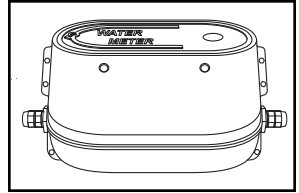


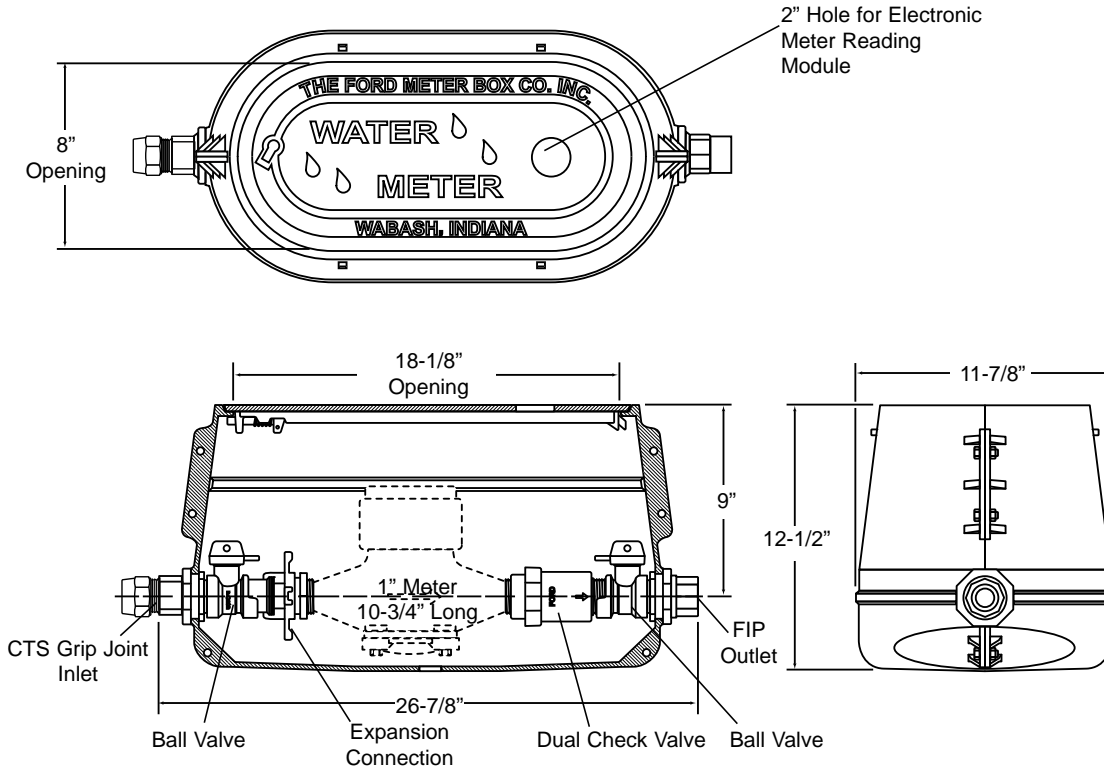
SUBMITTAL INFORMATION

Long Yokebox - (LYLBB141-444-T-G style)



GRIP JOINT FOR COPPER OR PLASTIC TUBING (CTS) INLET BY FEMALE IRON PIPE THREAD OUTLET

STRAIGHT BALL VALVE BY STRAIGHT DUAL CARTRIDGE CHECK VALVE AND STRAIGHT BALL VALVE



METER SIZE	CTS-GJ INLET	FIP OUTLET	APPROX. WT. LBS.	CATALOG NUMBER	✓ SUBMITTED ITEM(S)
1"	1"	1"	77	LYLBB141-444-T-G	

Note: Ford recommends using insert stiffeners with plastic pipe or tubing.

FEATURES

- All brass conforms to AWWA Standard C800 (ASTM B-62 and ASTM B-584, UNS NO C83600 - 85-5-5-5)
- Body casting and lid are constructed of cast iron per ASTM A48, Class 25.
- The dual cartridge check valve is ASSE 1024 approved.
- Padlock wing is standard on 1" Long Yokebox ball valves.
- The brass end fittings are permanently and properly spaced and aligned for the meter.
- Finish is black E-coating
- Locking electronic meter reading lid

The Ford Meter Box Company considers the information in this submittal form to be correct at the time of publication. Item and option availability, including specifications, are subject to change without notice. Please verify that your product information is current.



The Ford Meter Box Company, Inc.

P.O. Box 443, Wabash, Indiana U.S.A. 46992-0443

Phone: 260-563-3171 / Fax: 800-826-3487

Overseas Fax: 260-563-0167

<http://www.fordmeterbox.com>

04/19/07

Submitted By: