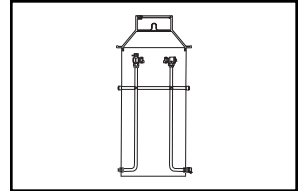


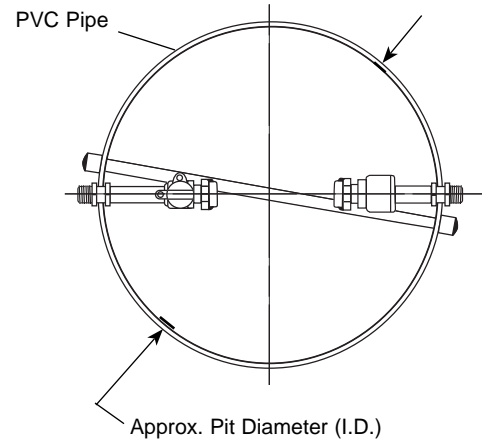
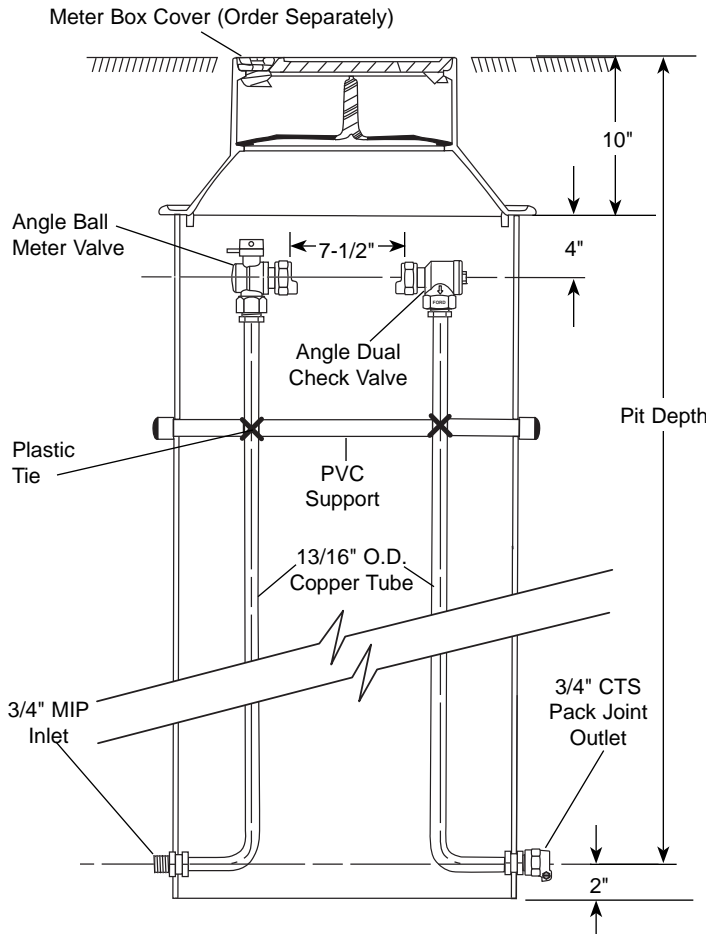
SUBMITTAL INFORMATION

Plastic Pitsetter - (PDBHH-284-xx-xx style)



MALE IRON PIPE THREAD INLET BY PACK JOINT FOR COPPER OR
PLASTIC TUBING (CTS) OUTLET - FOR 5/8" x 3/4" METER

DOUBLE LID - ANGLE BALL METER VALVE INLET BY ANGLE DUAL CHECK VALVE OUTLET



PIT DIAMETER AND DEPTH	CATALOG NUMBER	✓ SUBMITTED ITEM(S)
18"x36"	PDBHH-284-18-36	
18"x48"	PDBHH-284-18-48	
18"x60"	PDBHH-284-18-60	
18"x72"	PDBHH-284-18-72	
20"x36"	PDBHH-284-20-36	
20"x48"	PDBHH-284-20-48	
20"x60"	PDBHH-284-20-60	
20"x72"	PDBHH-284-20-72	

Note: "D" stands for Double Lid Cover

FEATURES

- All brass conforms to AWWA Standard C800 (ASTM B-62, UNS NO C83600 - 85-5-5-5)
- All Ford Setters are assembled with lead-free solder.
- Meter is held rigidly and at the proper height for easy installation and removal.
- Meter Box Cover not included. Must be ordered separately.
- Service lines are a minimum of 2" from pit walls to prevent "frost jump" in colder climates.
- Easy installation - simply make inlet and outlet connections and install cover.
- When bottom of pit is below frost line, service and meter freeze-ups are greatly reduced or eliminated by the circulation of air from the warmer soil at the pit base.

The Ford Meter Box Company considers the information in this submittal form to be correct at the time of publication. Item and option availability, including specifications, are subject to change without notice. Please verify that your product information is current.



The Ford Meter Box Company, Inc.

P.O. Box 443, Wabash, Indiana U.S.A. 46992-0443

Phone: 260-563-3171 / Fax: 800-826-3487

Overseas Fax: 260-563-0167

<http://www.fordmeterbox.com>

09/12/07

Submitted By: