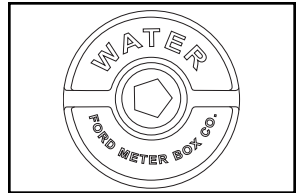
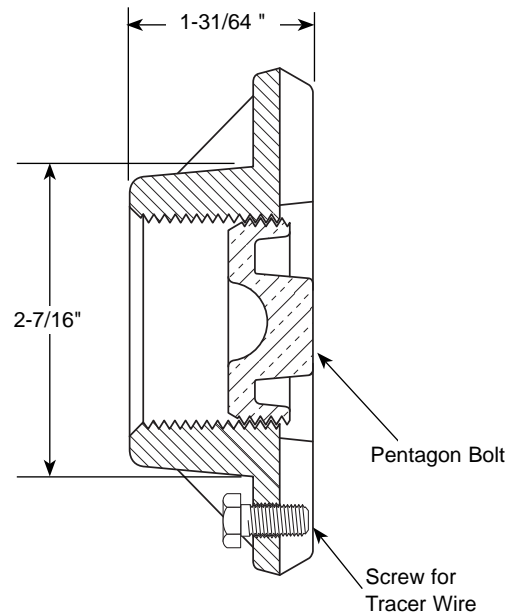
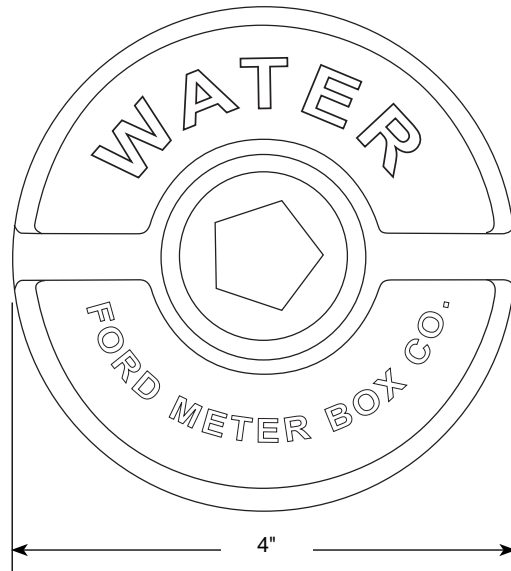


SUBMITTAL INFORMATION

Curb Box Lid - (PL-LID-TW style)



PLUG TYPE PL LID WITH TRACER WIRE SCREW



LID SIZE	APPROX. WT. LBS.	PART NUMBER	✓ SUBMITTED ITEM(S)
4"	1.9	PL-LID-TW	

FEATURES

- All brass components conform to AWWA Standard C800 (ASTM B-62 and ASTM B-584).
- Lid is cast iron per ASTM A48, Class 25).
- Finish is black E-coating.
- 302 Stainless steel screw for attaching tracer wire to lid.

The Ford Meter Box Company considers the information in this submittal form to be correct at the time of publication. Item and option availability, including specifications, are subject to change without notice. Please verify that your product information is current.



The Ford Meter Box Company, Inc.

P.O. Box 443, Wabash, Indiana U.S.A. 46992-0443

Phone: 260-563-3171 / Fax: 800-826-3487

Overseas Fax: 260-563-0167

<http://www.fordmeterbox.com>

03/26/07

Submitted By: