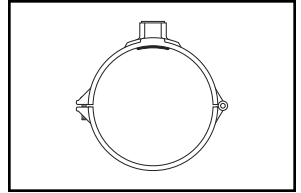
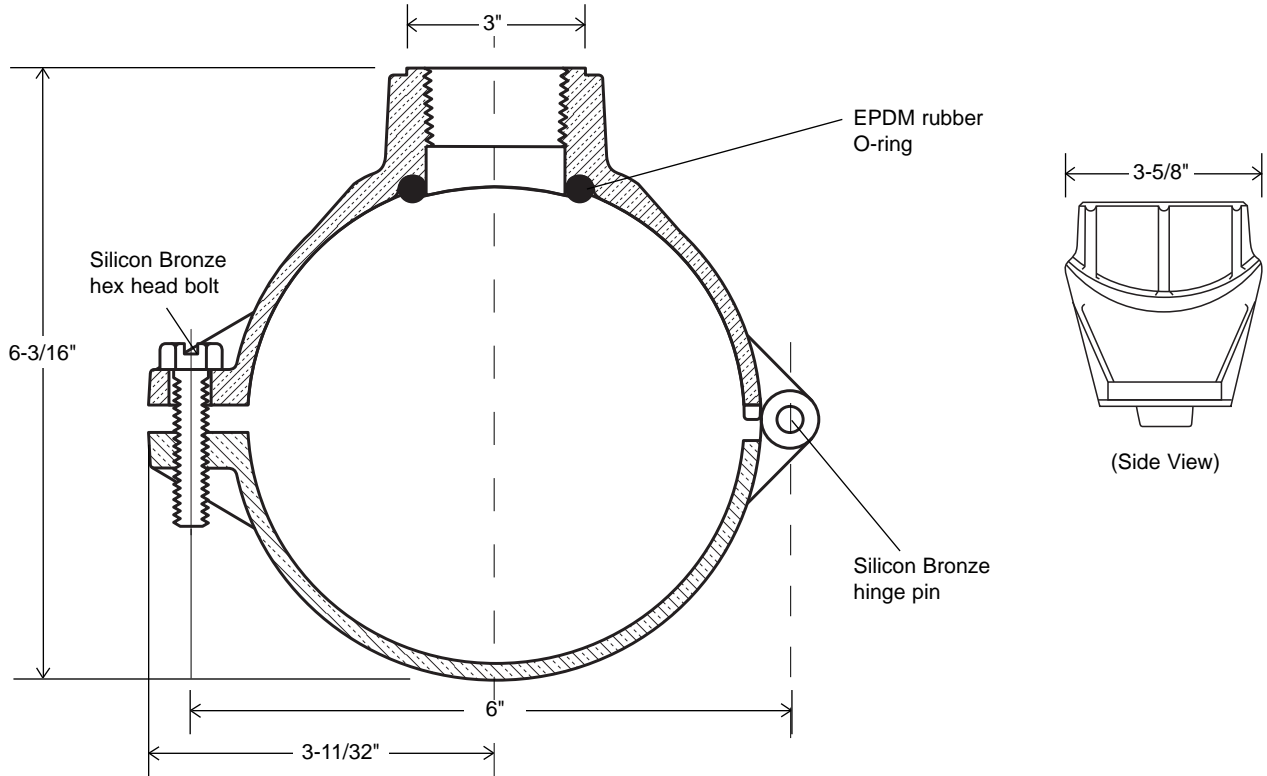


SUBMITTAL INFORMATION

Brass Saddles For C900 PVC - (S90-407 style)



BRASS SADDLES WITH AWWA TAP FOR C900 PVC PIPE



Style A (Hinged Design)

PVC PIPE SIZE	ACTUAL O.D.	TAP SIZE	APPROX. WT. LBS.	CATALOG NUMBER	STYLE	✓ SUBMITTED ITEM
4"	4.80	2"	6.4	S90-407	A	

▼ UL Classified to ANSI/NSF Standard 61.



FEATURES

- All brass conforms to AWWA Standard C800 (ASTM B-62 and ASTM B-584, UNS NO C83600 - 85-5-5-5)
- Style A Saddle body and strap permanently held together with silicon bronze pin
- Bolt is 5/16" slotted hex head silicon bronze

The Ford Meter Box Company considers the information in this submittal form to be correct at the time of publication. Item and option availability, including specifications, are subject to change without notice. Please verify that your product information is current.



The Ford Meter Box Company, Inc.

P.O. Box 443, Wabash, Indiana U.S.A. 46992-0443

Phone: 260-563-3171 / Fax: 800-826-3487

Overseas Fax: 260-563-0167

<http://www.fordmeterbox.com>

06/16/08

Submitted By: