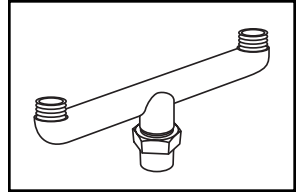
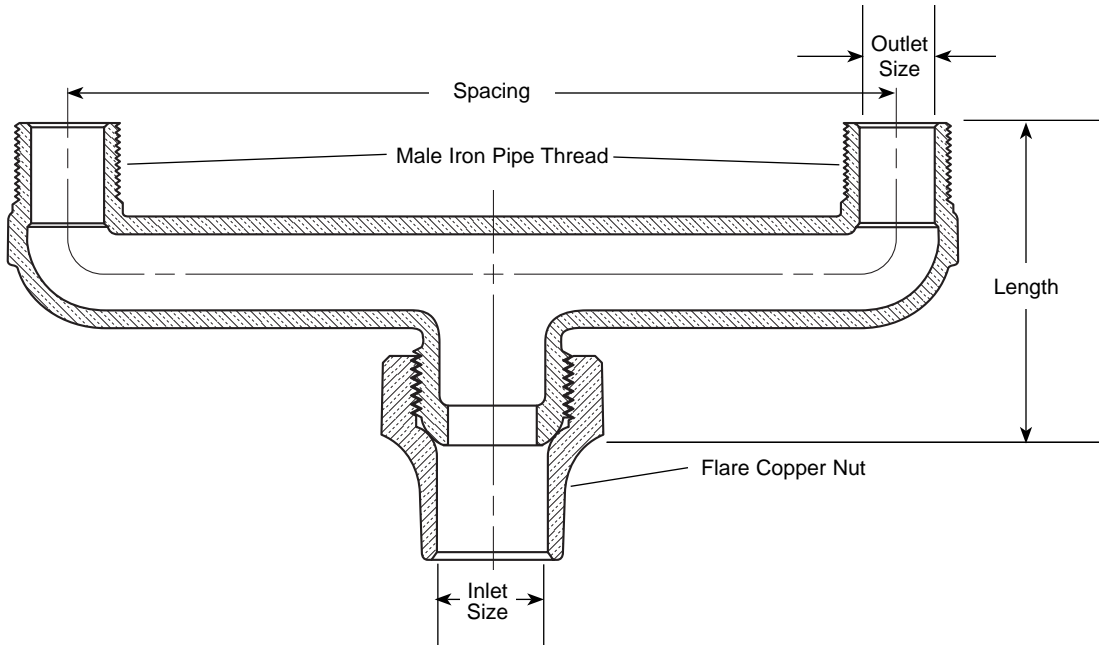


# SUBMITTAL INFORMATION

## "U" Branch Piece - (U28-64-9 style)



FLARE COPPER INLET BY TWO MALE IRON PIPE THREAD OUTLETS



DESCRIPTION		LENGTH	SPACING	APPROX. WT. LBS	PART NUMBER	✓ SUBMITTED ITEM(S)
FLARE COPPER INLET	MIP OUTLET					
1-1/2"	Two - 1"	4-1/4"	9"	4.1	▼▼ U28-64-9	

▼▼ Add "-K" to end of catalog number for item to be UL classified to ANSI/NSF Standard 61.



### FEATURES

- All brass conforms to AWWA Standard C800 (ASTM B-62 and ASTM B-584, UNS NO C83600 - 85-5-5-5)
- Wrench flats on outlets to assist installation.

The Ford Meter Box Company considers the information in this submittal form to be correct at the time of publication. Item and option availability, including specifications, are subject to change without notice. Please verify that your product information is current.



### The Ford Meter Box Company, Inc.

P.O. Box 443, Wabash, Indiana U.S.A. 46992-0443

Phone: 260-563-3171 / Fax: 800-826-3487

Overseas Fax: 260-563-0167

<http://www.fordmeterbox.com>

10/07/05

Submitted By: