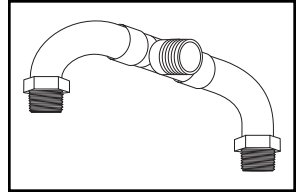
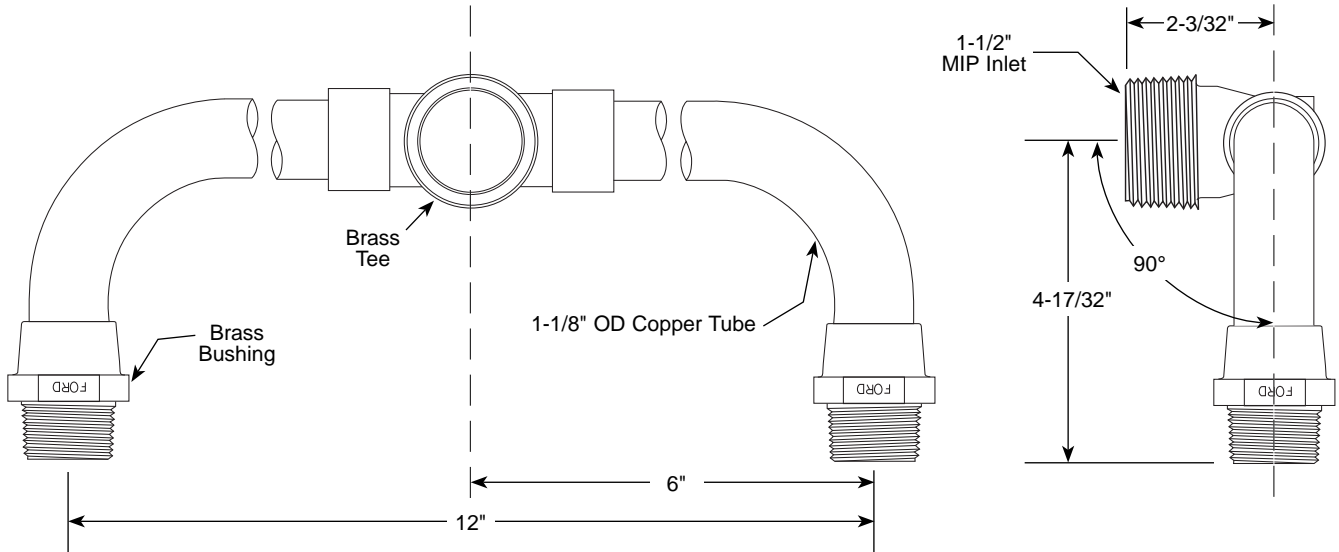


SUBMITTAL INFORMATION

Angle "U" Branch Piece - (UA88-64-12 style)



MALE IRON PIPE THREAD INLET BY TWO-MALE IRON PIPE THREAD OUTLETS



DESCRIPTION		LENGTH	HEIGHT	CATALOG NUMBER	✓ SUBMITTED ITEM(S)
MIP INLET	MIP OUTLETS				
1-1/2"	1"	2-3/32"	4-17/32"	UA88-64-12	

FEATURES

- All brass conforms to AWWA Standard C800 (ASTM B-62 and ASTM B-584, UNS NO C83600 - 85-5-5-5)
- 1-1/8" Copper tubing conforms to ASTM B-88, Copper Alloy #122
- Angle U-Branch is assembled with Lead Free Solder

The Ford Meter Box Company considers the information in this submittal form to be correct at the time of publication. Item and option availability, including specifications, are subject to change without notice. Please verify that your product information is current.



The Ford Meter Box Company, Inc.

P.O. Box 443, Wabash, Indiana U.S.A. 46992-0443

Phone: 260-563-3171 / Fax: 800-826-3487

Overseas Fax: 260-563-0167

<http://www.fordmeterbox.com>

08/04/08

Submitted By: