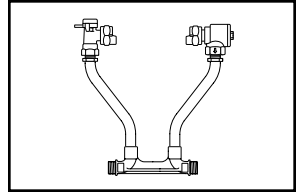


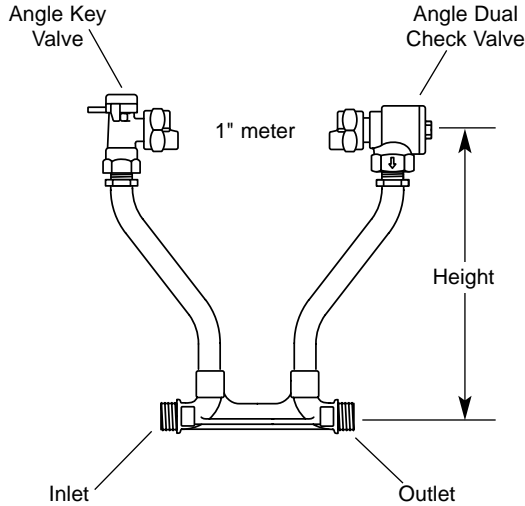
SUBMITTAL INFORMATION

270 Series Coppersetter - (VHH274-xx style)



ANGLE KEY VALVE BY ANGLE DUAL CHECK VALVE (1" METER)

MALE THREADS FOR PACK JOINT ASSEMBLIES INLET AND OUTLET



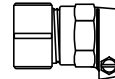
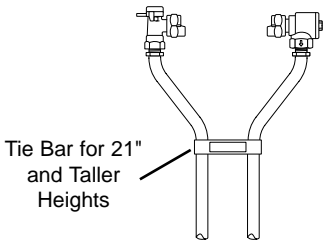
Male Threads for Pack Joint Assemblies (PJAx-4x)

Coppersetter Part Number

HEIGHT (INCHES)	APPROX. WT. LBS.	CATALOG NUMBER	✓ SUBMITTED ITEM(S)
10	8.7	VHH274-10W	
12	8.8	VHH274-12W	
15	9.1	VHH274-15W	
18	9.4	VHH274-18W	
21	10.9	VHH274-21W	
24	11.3	VHH274-24W	

Service Line Connection

Please see the Pack Joint Assembly Submittal in Section F (PJAx-4x)



FEATURES

- All brass conforms to AWWA Standard C800 (ASTM B-62, UNS NO C83600 - 85-5-5-5)
- Saddle Nuts hold the meter in place for tightening.
- Two Pack Joint Assemblies required (PJAx-4x) Inlet and Outlet - order separately
- Tie Bar is standard for 21" and taller Coppersetter heights (274 Series).
- 1-1/8" Copper Risers provide more flow capacity.
- All Ford Setters are assembled with lead-free solder.

The Ford Meter Box Company considers the information in this submittal form to be correct at the time of publication. Item and option availability, including specifications, are subject to change without notice. Please verify that your product information is current.



The Ford Meter Box Company, Inc.

P.O. Box 443, Wabash, Indiana U.S.A. 46992-0443

Phone: 260-563-3171 / Fax: 800-826-3487

Overseas Fax: 260-563-0167

<http://www.fordmeterbox.com>

07/11/01

Submitted By: