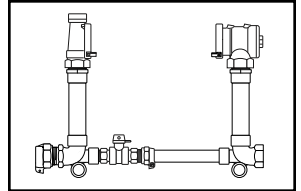


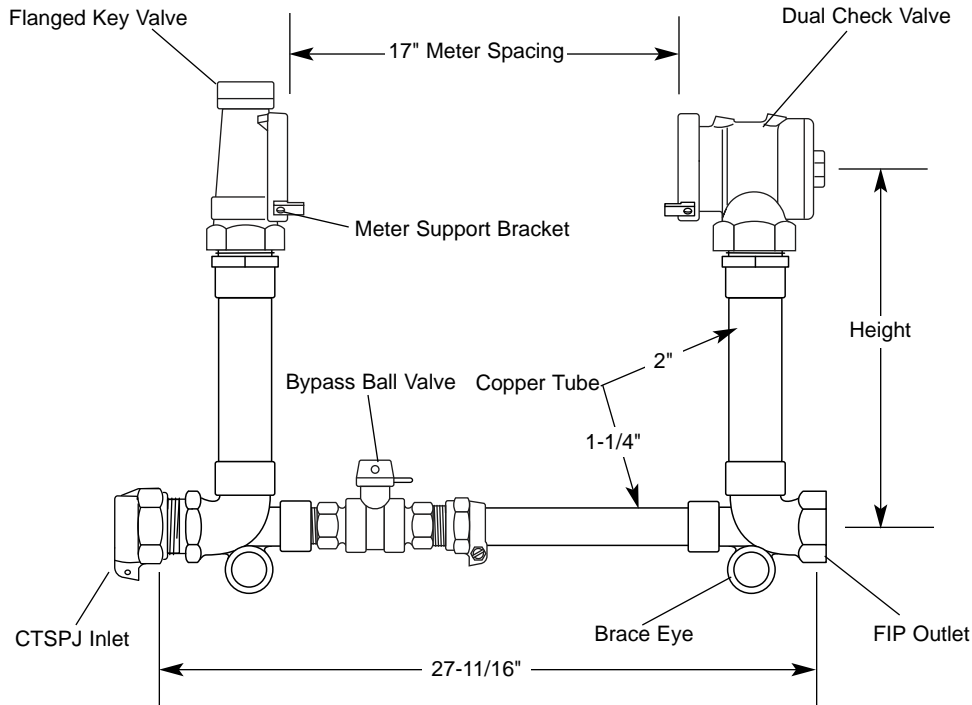
SUBMITTAL INFORMATION

70 Series Coppersetter - (VHH77-xxB-41-77 style)



ANGLE KEY VALVE BY ANGLE DUAL CHECK VALVE (2" METER)

PACK JOINT FOR COPPER OR PLASTIC TUBING (CTS) INLET BY FEMALE IRON PIPE THREAD OUTLET



SERVICE LINE CONNECTION		HEIGHT	APPROX. Wt. LBS.	CATALOG NUMBER	✓ SUBMITTED ITEM(S)
CTSPJ INLET	FIP OUTLET				
2"	2"	12"	32	VHH77-12B-41-77	
		15"	33	VHH77-15B-41-77	
		18"	34	VHH77-18B-41-77	
		21"	34	VHH77-21B-41-77	
		24"	35	VHH77-24B-41-77	
		27"	35	VHH77-27B-41-77	

Note: Ford recommends using Insert Stiffeners with plastic pipe or tubing.

FEATURES

- All brass conforms to AWWA Standard C800 (ASTM B-62, UNS NO C83600 - 85-5-5-5)
- Constructed with Type K Copper.
- All Ford Meter Setters are assembled with Lead-Free Solder.
- Bracing Eyes are standard.
- Meter Support Brackets are standard.
- Optional High Bypass - add "HB" following the height. Example: VHH77-12HB-41-77.

The Ford Meter Box Company considers the information in this submittal form to be correct at the time of publication. Item and option availability, including specifications, are subject to change without notice. Please verify that your product information is current.



The Ford Meter Box Company, Inc.

P.O. Box 443, Wabash, Indiana U.S.A. 46992-0443

Phone: 260-563-3171 / Fax: 800-826-3487

Overseas Fax: 260-563-0167

<http://www.fordmeterbox.com>

02/11/02

Submitted By: