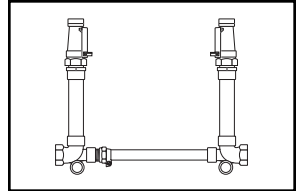


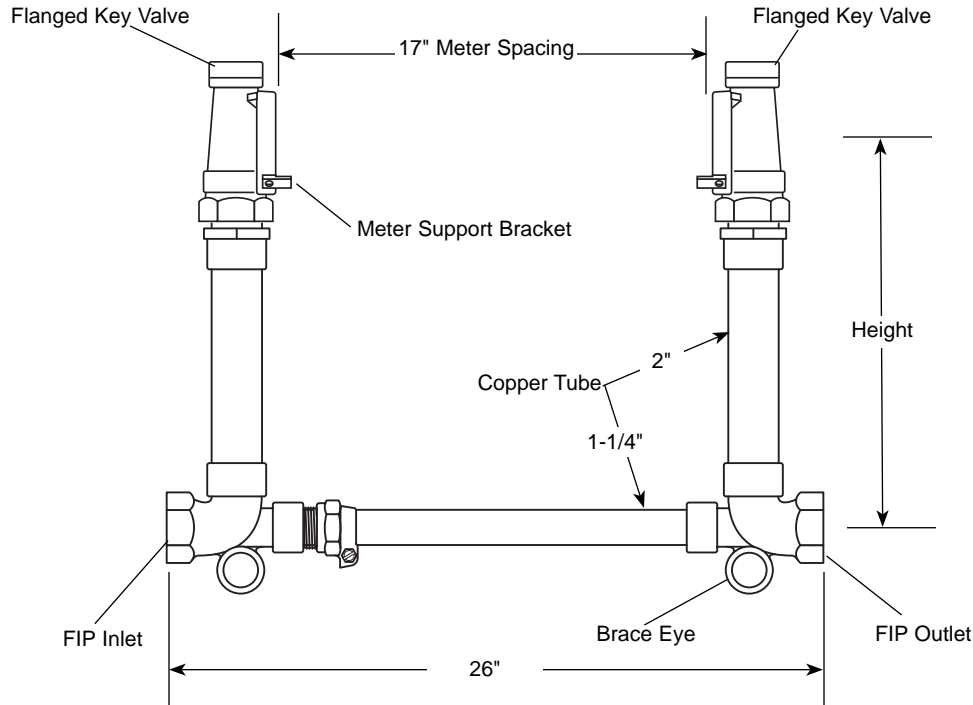
SUBMITTAL INFORMATION

70 Series Coppersetter - (VV77-xx-11-77 style)



ANGLE KEY VALVE BY ANGLE KEY VALVE (2" METER)

FEMALE IRON PIPE THREAD INLET AND OUTLET



| SERVICE LINE CONNECTION | | HEIGHT | APPROX. Wt. LBS. | CATALOG NUMBER | ✓ SUBMITTED ITEM(S) |
|-------------------------|------------|--------|------------------|----------------|---------------------|
| FIP INLET | FIP OUTLET | | | | |
| 2" | 2" | 12" | 32 | VV77-12-11-77 | |
| | | 15" | 33 | VV77-15-11-77 | |
| | | 18" | 34 | VV77-18-11-77 | |
| | | 21" | 34 | VV77-21-11-77 | |
| | | 24" | 35 | VV77-24-11-77 | |
| | | 27" | 35 | VV77-27-11-77 | |

FEATURES

- All brass conforms to AWWA Standard C800 (ASTM B-62 and ASTM B-584, UNS NO C83600 - 85-5-5-5)
- Constructed with Type K Copper.
- All Ford Meter Setters are assembled with Lead-Free Solder.
- Bracing Eyes are standard.
- Meter Support Brackets are standard.

The Ford Meter Box Company considers the information in this submittal form to be correct at the time of publication. Item and option availability, including specifications, are subject to change without notice. Please verify that your product information is current.



The Ford Meter Box Company, Inc.

P.O. Box 443, Wabash, Indiana U.S.A. 46992-0443

Phone: 260-563-3171 / Fax: 800-826-3487

Overseas Fax: 260-563-0167

<http://www.fordmeterbox.com>

03/28/05

Submitted By: