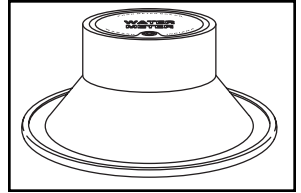


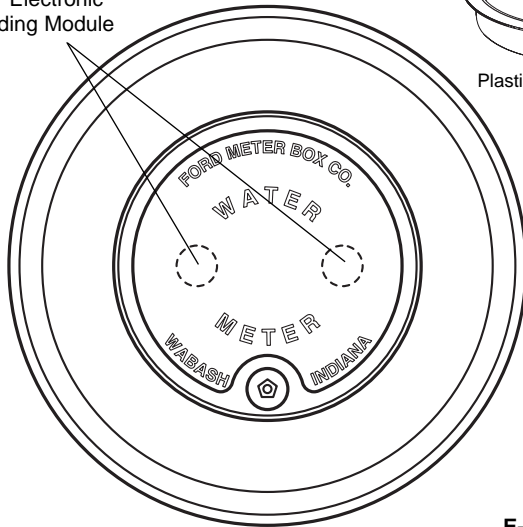
SUBMITTAL INFORMATION

Meter Box Covers - (W3-D style)

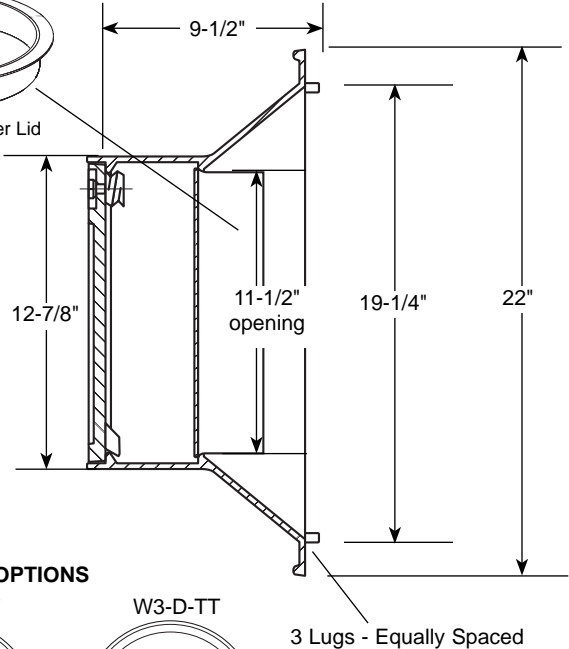


11-1/2" WABASH DOUBLE INSET LID FOR 20" TILE, WITH 2" PLASTIC RECESS INNER LID

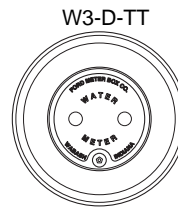
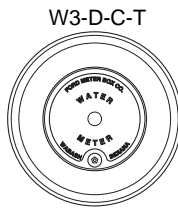
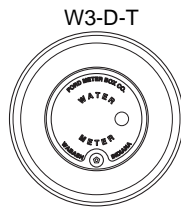
Optional -
2" hole for Electronic
Meter Reading Module



Plastic Recess Inner Lid
(W3BPD)



E-READ LID OPTIONS



*LID SIZE	TILE I.D.	APPROX. WT. LBS.	DESCRIPTION	CATALOG NUMBER	✓ SUBMITTED ITEM(S)
11-1/2"	20"	55	Cover with locking lid	W3-D	
			Cover with lockless lid	W3-D-LL	
			Cover with Single Hole for Meter Reading Module	W3-D-T	
			Cover with Single Center Hole for Meter Reading Module	W3-D-C-T	
			Cover with Two Holes for Meter Reading Modules	W3-D-TT	

*Lid size indicates approximate pit access opening; actual lid diameter is approximately 1" larger.

FEATURES

- Standard pentagon bolt furnished with locking lids. Larger bolt is available, add "-LB" to the catalog number. For non-locking lid, add "-LL".
- Frame and lid are cast iron per ASTM A48-92, Class 25.
- Black high-impact polystyrene plastic 2" recess inner lid.
- Finish is black E-coating.

The Ford Meter Box Company considers the information in this submittal form to be correct at the time of publication. Item and option availability, including specifications, are subject to change without notice. Please verify that your product information is current.



The Ford Meter Box Company, Inc.

P.O. Box 443, Wabash, Indiana U.S.A. 46992-0443

Phone: 260-563-3171 / Fax: 800-826-3487

Overseas Fax: 260-563-0167

<http://www.fordmeterbox.com>

11/07/03

Submitted By: