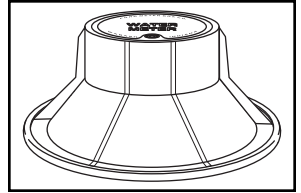
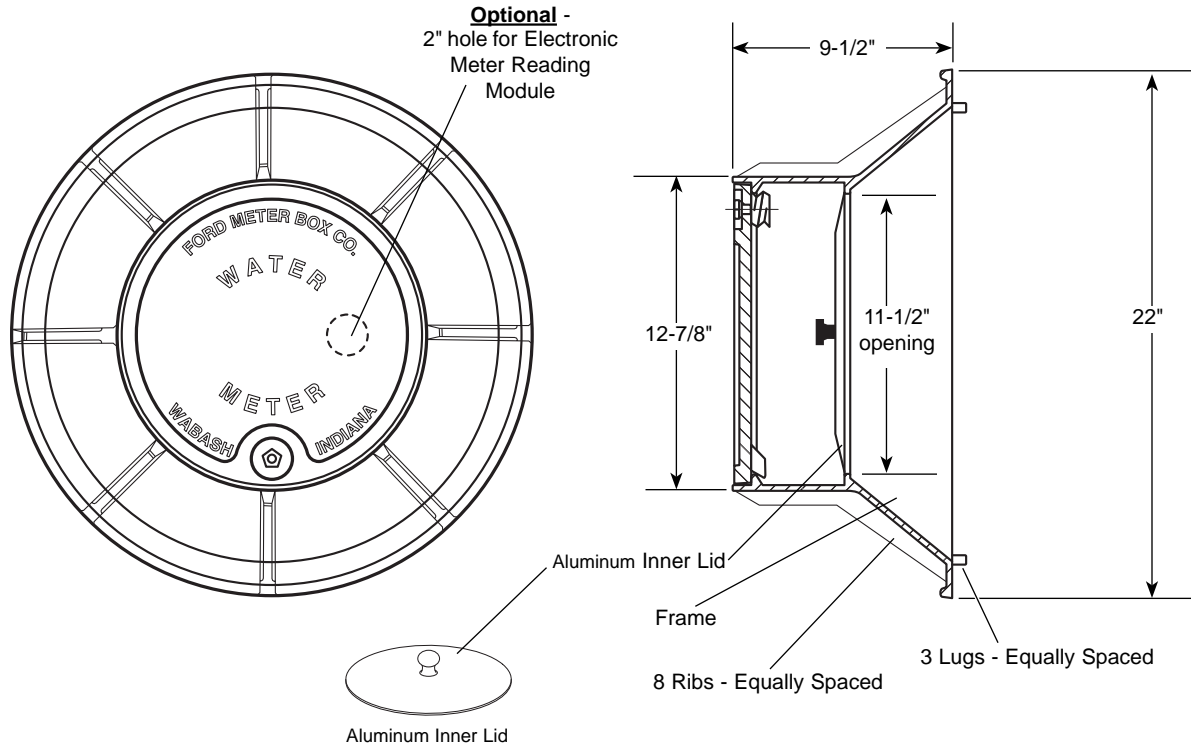


# SUBMITTAL INFORMATION

## Meter Box Covers - (W3H-A style)



EXTRA HEAVY 11-1/2" WABASH DOUBLE INSET LID FOR 20" TILE



*LID SIZE	TILE I.D.	APPROX. WT. LBS.	DESCRIPTION	CATALOG NUMBER	✓ SUBMITTED ITEM(S)
11-1/2"	20"	67	Cover with Double Inset Locking Lid	W3H-A	
			Single hole for Meter Reading Module	W3H-A-T	

\*Lid size indicates approximate pit access opening; actual lid diameter is approximately 1" larger.

### FEATURES

- Frame and lid are cast iron per ASTM A48-92, Class 25.
- Standard Pentagon Bolt furnished with locking lids.  
Larger bolt is available. Add "-LB" to catalog number.
- Aluminum Inner Lid.
- Finish is black E-Coating.
- Optional with precast holes for electronic meter reading modules.  
Add to catalog number: "-T" for single hole.

The Ford Meter Box Company considers the information in this submittal form to be correct at the time of publication. Item and option availability, including specifications, are subject to change without notice. Please verify that your product information is current.



#### The Ford Meter Box Company, Inc.

P.O. Box 443, Wabash, Indiana U.S.A. 46992-0443

Phone: 260-563-3171 / Fax: 800-826-3487

Overseas Fax: 260-563-0167

<http://www.fordmeterbox.com>

01/28/08

Submitted By: