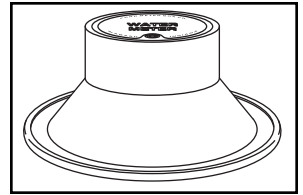
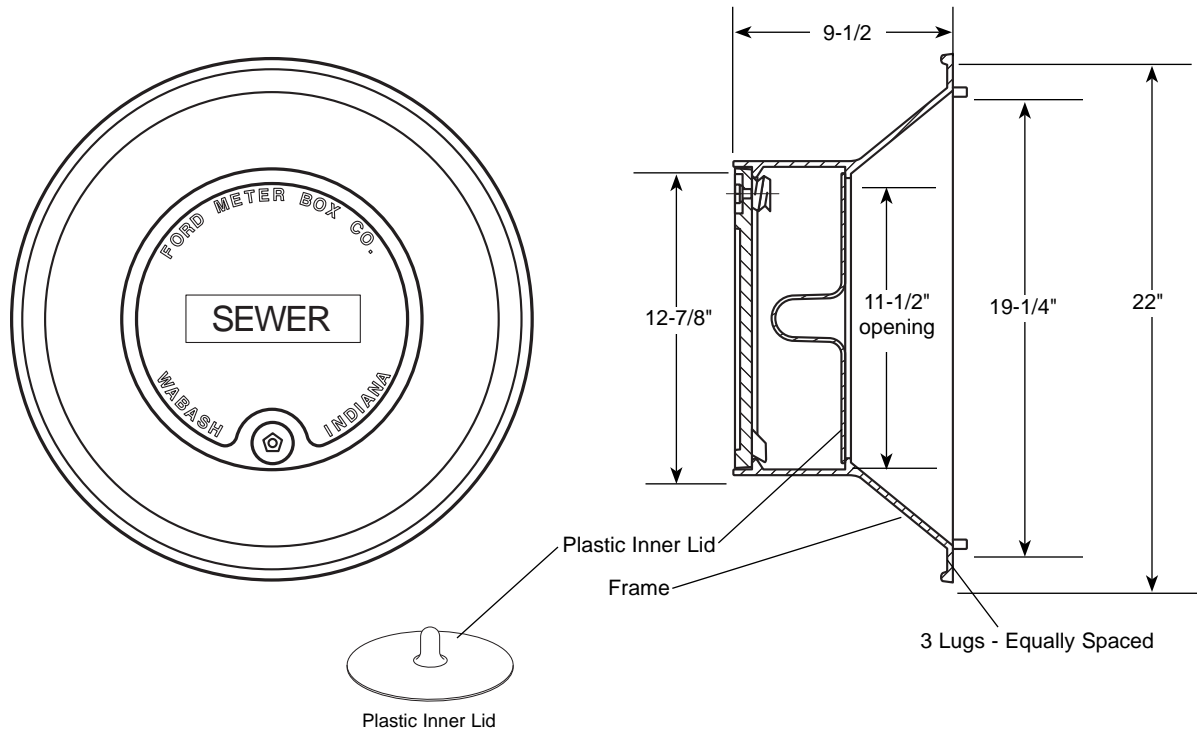


SUBMITTAL INFORMATION

Meter Box Covers - (W3-SEWER style)



11-1/2" WABASH DOUBLE INSET LID WITH "SEWER" LETTERING FOR 20" TILE



*LID SIZE	TILE I.D.	APPROX. WT. LBS.	DESCRIPTION	CATALOG NUMBER	✓ SUBMITTED ITEM(S)
11-1/2"	20"	55	Cover with Double Inset Locking Lid	W3-SEWER	

*Lid size indicates approximate pit access opening; actual lid diameter is approximately 1" larger.

FEATURES

- Standard Pentagon Bolt furnished with locking lids. Larger bolt is available. Add "-LB" to catalog number.
- Frame and lid are cast iron per ASTM A48, Class 25.
- Plastic Inner Lid is standard - aluminum is optional.
- Finish is black E-Coating.

The Ford Meter Box Company considers the information in this submittal form to be correct at the time of publication. Item and option availability, including specifications, are subject to change without notice. Please verify that your product information is current.



The Ford Meter Box Company, Inc.

P.O. Box 443, Wabash, Indiana U.S.A. 46992-0443

Phone: 260-563-3171 / Fax: 800-826-3487

Overseas Fax: 260-563-0167

<http://www.fordmeterbox.com>

05/24/07

Submitted By: