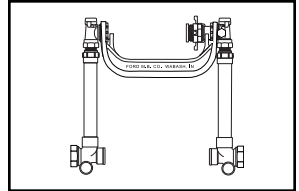


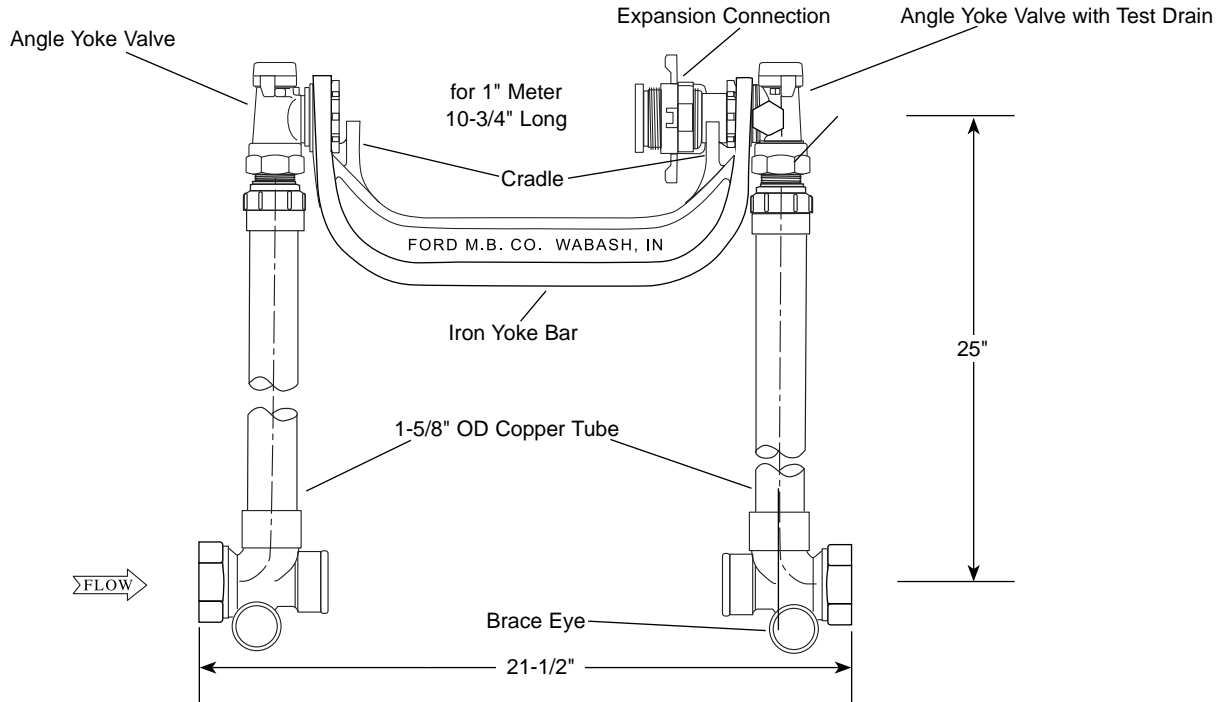
SUBMITTAL INFORMATION

Yoke Assembly - (YA-95141-021-LEX style)



ANGLE YOKE VALVE BY ANGLE YOKE VALVE

FEMALE IRON PIPE THREAD INLET AND OUTLET



INLET SIZE	OUTLET SIZE	METER SIZE	LENGTH	HEIGHT	CATALOG NUMBER	✓ SUBMITTED ITEM(S)
1-1/2"	1-1/2"	1"	21-1/2"	25"	YA-4-95141-021-LEX	

FEATURES

- All brass conforms to AWWA Standard C800 (ASTM B-62 and ASTM B-584 UNS NO C83600 - 85-5-5-5)
- Assembled with lead-free solder.
- Yoke bar cradles support and position the meter and expansion connection for ease of installation.
- Yoke bar material: Cast gray iron, ASTM A48, Class 25, with black E-coating.
- Setter constructed with 1-5/8" O.D., Type K Copper and conforms to ASTM B-88, Copper Alloy#122.
- Brace Eyes are standard.
- Outlet valve has test drain to check meter operation, relieve pressure or drain lines.

The Ford Meter Box Company considers the information in this submittal form to be correct at the time of publication. Item and option availability, including specifications, are subject to change without notice. Please verify that your product information is current.



The Ford Meter Box Company, Inc.

P.O. Box 443, Wabash, Indiana U.S.A. 46992-0443

Phone: 260-563-3171 / Fax: 800-826-3487

Overseas Fax: 260-563-0167

<http://www.fordmeterbox.com>

05/10/07

Submitted By: