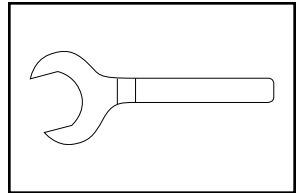
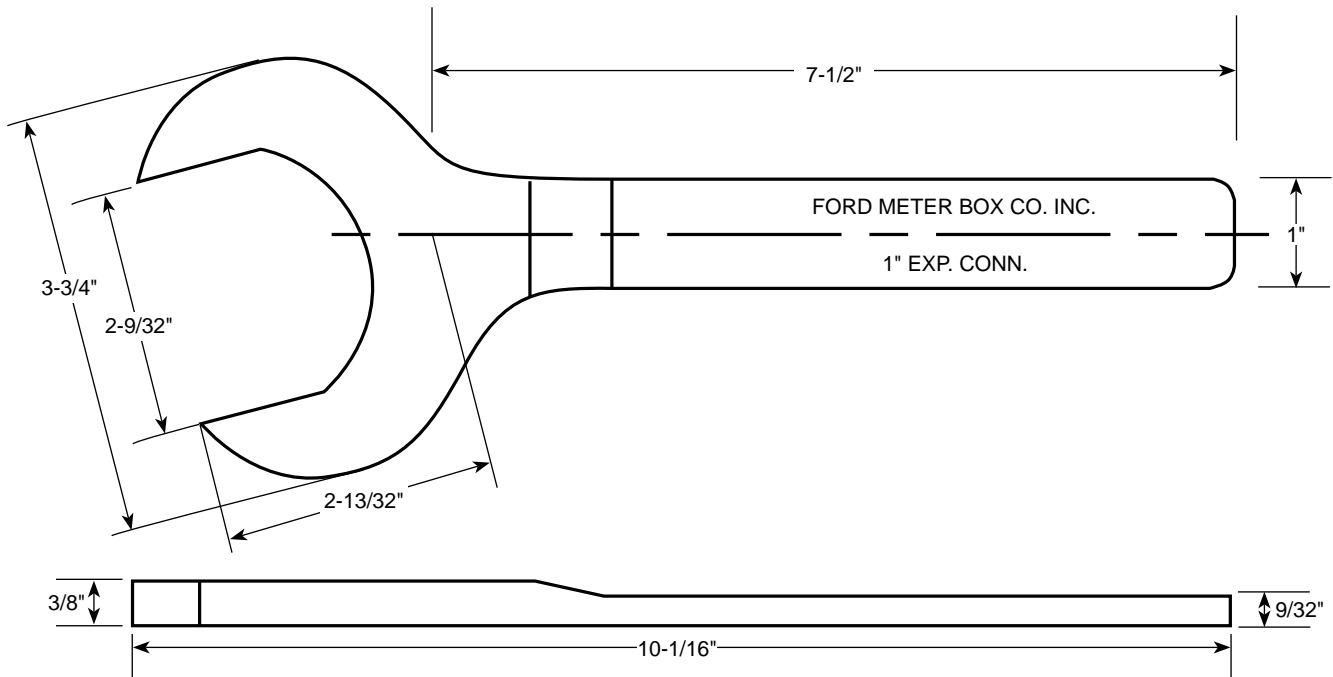


SUBMITTAL INFORMATION

Expansion Connection Wrench - (YEW-4 style)



WRENCH FOR 1" EXPANSION CONNECTIONS



DESCRIPTION	APPROX. LENGTH	EXPANSION CONNECTION SIZE	CATALOG NUMBER	✓ SUBMITTED ITEM(S)
Wrench for Expansion Connection	10-1/16"	1"	YEW-4	

FEATURES

- Made from brass that conforms to AWWA Standard C800 (ASTM B-62 and ASTM B-584, UNS NO C83600-85-5-5-5).

The Ford Meter Box Company considers the information in this submittal form to be correct at the time of publication. Item and option availability, including specifications, are subject to change without notice. Please verify that your product information is current.



The Ford Meter Box Company, Inc.

P.O. Box 443, Wabash, Indiana U.S.A. 46992-0443

Phone: 260-563-3171 / Fax: 800-826-3487

Overseas Fax: 260-563-0167

<http://www.fordmeterbox.com>

03/12/07

Submitted By: