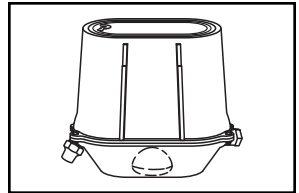


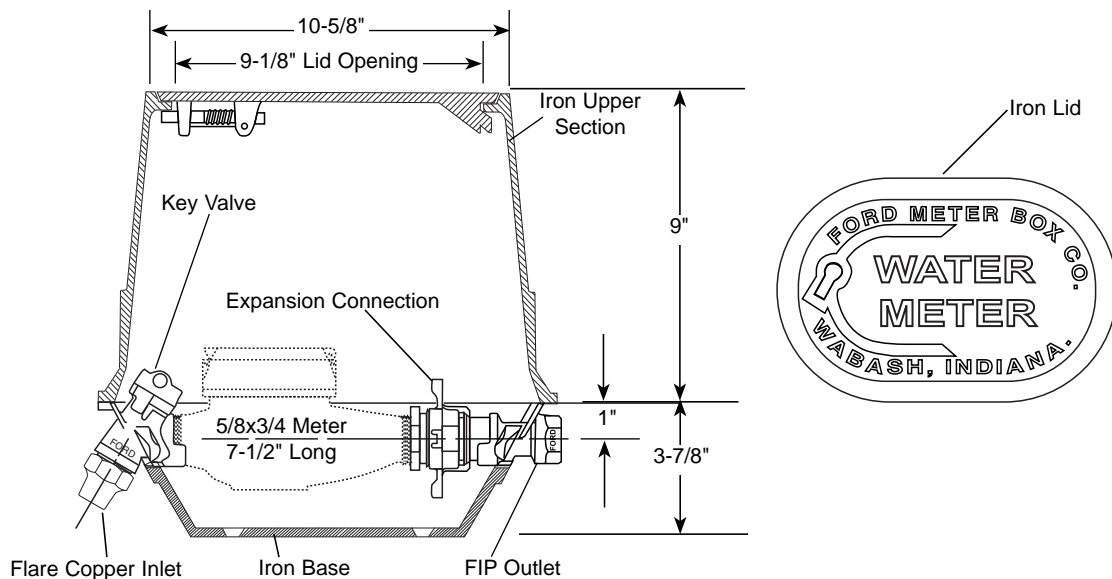
SUBMITTAL INFORMATION

Yokebox - (YM221-233 style)



FLARE COPPER INLET BY FEMALE IRON PIPE THREAD OUTLET

ANGLE KEY VALVE BY STRAIGHT OUTLET



METER SIZE	FLARE COPPER INLET	FIP OUTLET	APPROX. Wt. LBS.	CATALOG NUMBER	✓ SUBMITTED ITEM(S)
5/8" x 3/4"	3/4"	3/4"	35.0	YM221-233	

FEATURES

- All brass conforms to AWWA Standard C800 (ASTM B-62 and ASTM B-584, UNS NO C83600 - 85-5-5-5)
- Base, upper section and lid are cast iron per ASTM A48, Class 25.
- The brass end fittings are permanently and properly spaced and aligned for the meter.
- Finish is black E-coating.
- Locking lid is standard.
- Lockless lid is available; add "-LL" to catalog number.

The Ford Meter Box Company considers the information in this submittal form to be correct at the time of publication. Item and option availability, including specifications, are subject to change without notice. Please verify that your product information is current.



The Ford Meter Box Company, Inc.

P.O. Box 443, Wabash, Indiana U.S.A. 46992-0443

Phone: 260-563-3171 / Fax: 800-826-3487

Overseas Fax: 260-563-0167

<http://www.fordmeterbox.com>

04/23/07

Submitted By: