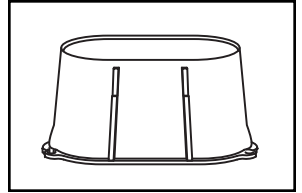
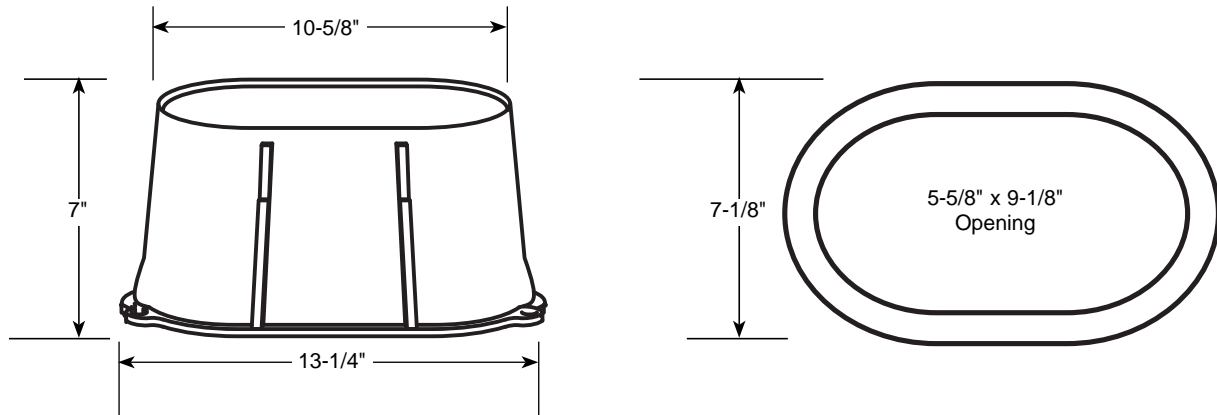


SUBMITTAL INFORMATION

Yokebox Upper Section - (YUC-7 style)



SHALLOW TYPE UPPER CASTING



APPROX. WT. LBS.	CATALOG NUMBER	✓ SUBMITTED ITEM(S)
16	YUC-7	

FEATURES

- Made from cast iron per ASTM A48, Class 25
- Finish is black E-coating.

The Ford Meter Box Company considers the information in this submittal form to be correct at the time of publication. Item and option availability, including specifications, are subject to change without notice. Please verify that your product information is current.



The Ford Meter Box Company, Inc.

P.O. Box 443, Wabash, Indiana U.S.A. 46992-0443

Phone: 260-563-3171 / Fax: 800-826-3487

Overseas Fax: 260-563-0167

<http://www.fordmeterbox.com>

04/13/07

Submitted By: