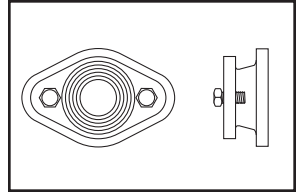
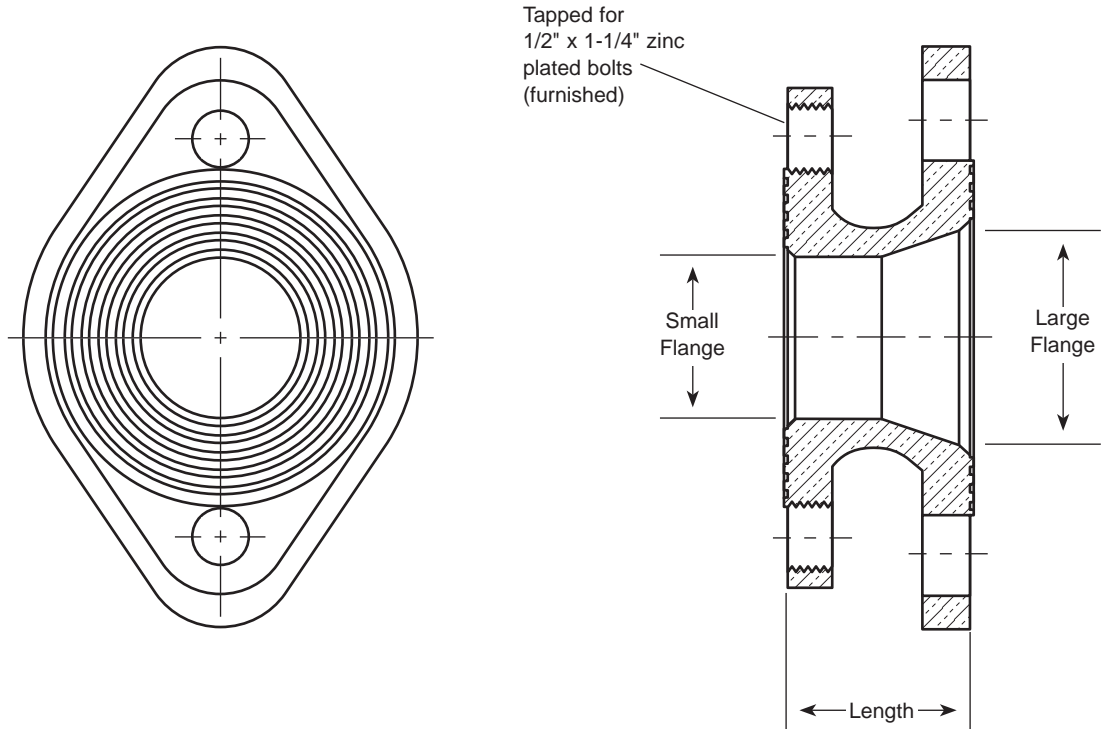


# SUBMITTAL INFORMATION

## Meter Adapter - (A67 Flange to Flange Style)



ADAPTER TO CHANGE METER SPUD SIZE AND LENGTH



DESCRIPTION		LENGTH	APPROX. WT. LBS.	PART NUMBER	✓ SUBMITTED ITEM(S)
SMALL FLANGE SIZE	LARGE FLANGE SIZE				
1-1/2"	2"	1-7/8"	9.0	▼ A67	

▼ UL Classified to ANSI/NSF Standard 61.



### FEATURES

- All brass conforms to AWWA Standard C800 (ASTM B-62 and ASTM B-584, UNS NO C83600 - 85-5-5-5)
- 1-1/2" flange is tapped for two 1/2" x 1-1/4" zinc plated bolts, which are included.
- Two 5/8" x 2" zinc-plated bolts and nuts are included for the 2" flange.
- Flange Meter Adapters are sold and furnished in pairs.

The Ford Meter Box Company considers the information in this submittal form to be correct at the time of publication. Item and option availability, including specifications, are subject to change without notice. Please verify that your product information is current.



**The Ford Meter Box Company, Inc.**

P.O. Box 443, Wabash, Indiana U.S.A. 46992-0443

Phone: 260-563-3171 / Fax: 800-826-3487

Overseas Fax: 260-563-0167

<http://www.fordmeterbox.com>

10/22/07

Submitted By:

Empty box for signature.