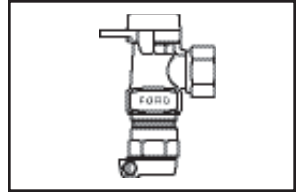
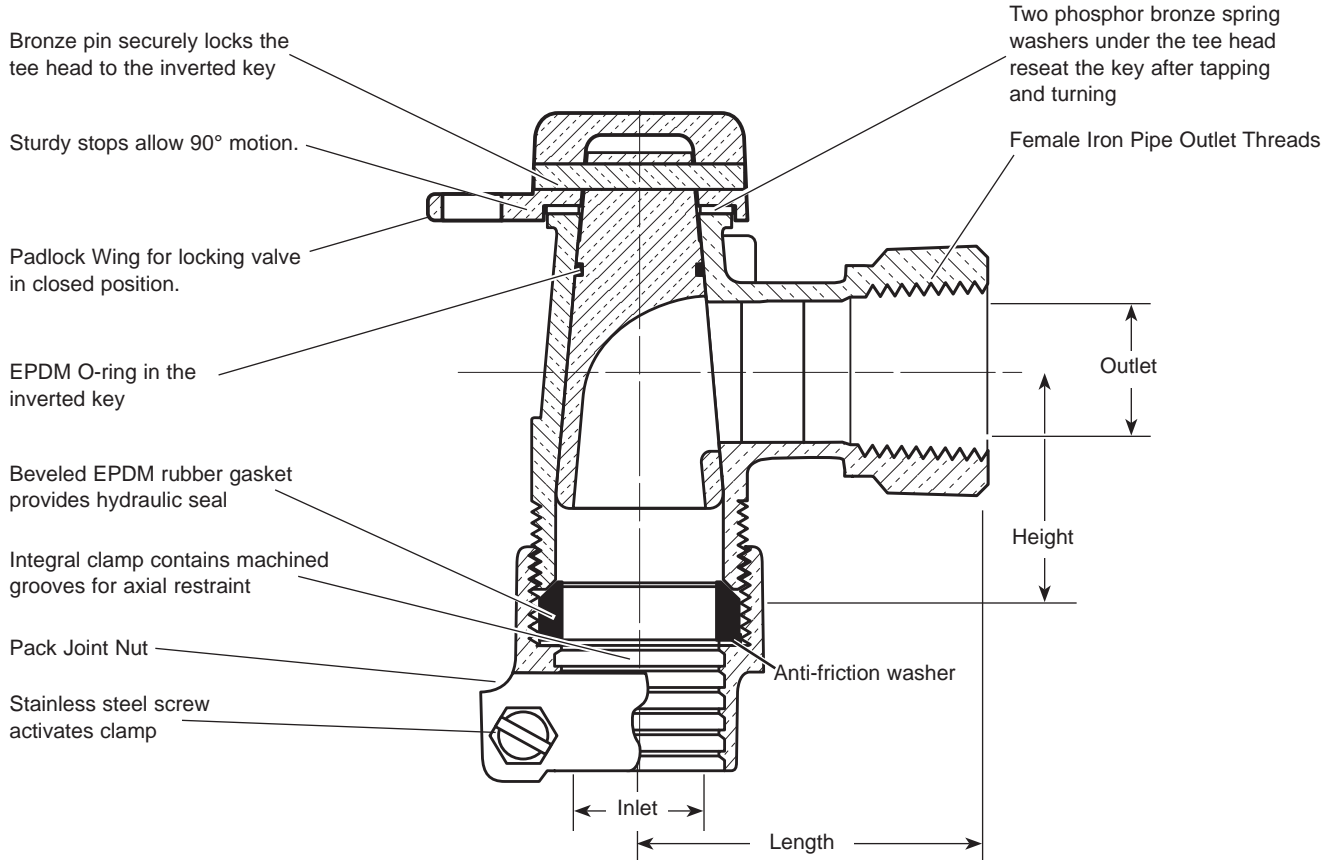


SUBMITTAL INFORMATION

Angle Key Service Valves - (AV41-xxxW style)



PACK JOINT FOR COPPER OR PLASTIC TUBING (CTS) INLET BY FEMALE IRON PIPE THREAD OUTLET



VALVE SIZE	INLET SIZE	OUTLET SIZE	LENGTH	HEIGHT	APPROX. Wt. LBS	PART NUMBER	✓ SUBMITTED ITEM(S)
3/4"	3/4"	3/4"	1-11/16"	1-1/2"	1.4	▼ AV41-333W	
1"	1"	1"	1-15/16"	1-9/16"	2.1	▼ *AV41-444	

* Note: Padlock wing not available for AV41-444
 Ford recommends using Insert Stiffeners with plastic pipe or tubing.
 ▼ UL Classified to ANSI/NSF Standard 61.



FEATURES

- All brass conforms to AWWA Standard C800 (ASTM B-62 and ASTM B-584 UNS NO C83600 - 85-5-5-5)
- Padlock Wing for locking the valve in a closed position on AV41-333W.
- Meets 100 PSI working pressure requirement of AWWA Standard C800.

The Ford Meter Box Company considers the information in this submittal form to be correct at the time of publication. Item and option availability, including specifications, are subject to change without notice. Please verify that your product information is current.



The Ford Meter Box Company, Inc.

P.O. Box 443, Wabash, Indiana U.S.A. 46992-0443
 Phone: 260-563-3171 / Fax: 800-826-3487
 Overseas Fax: 260-563-0167
<http://www.fordmeterbox.com>

10/22/07

Submitted By: