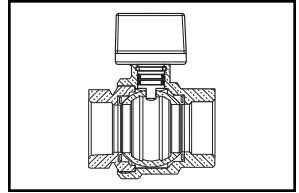
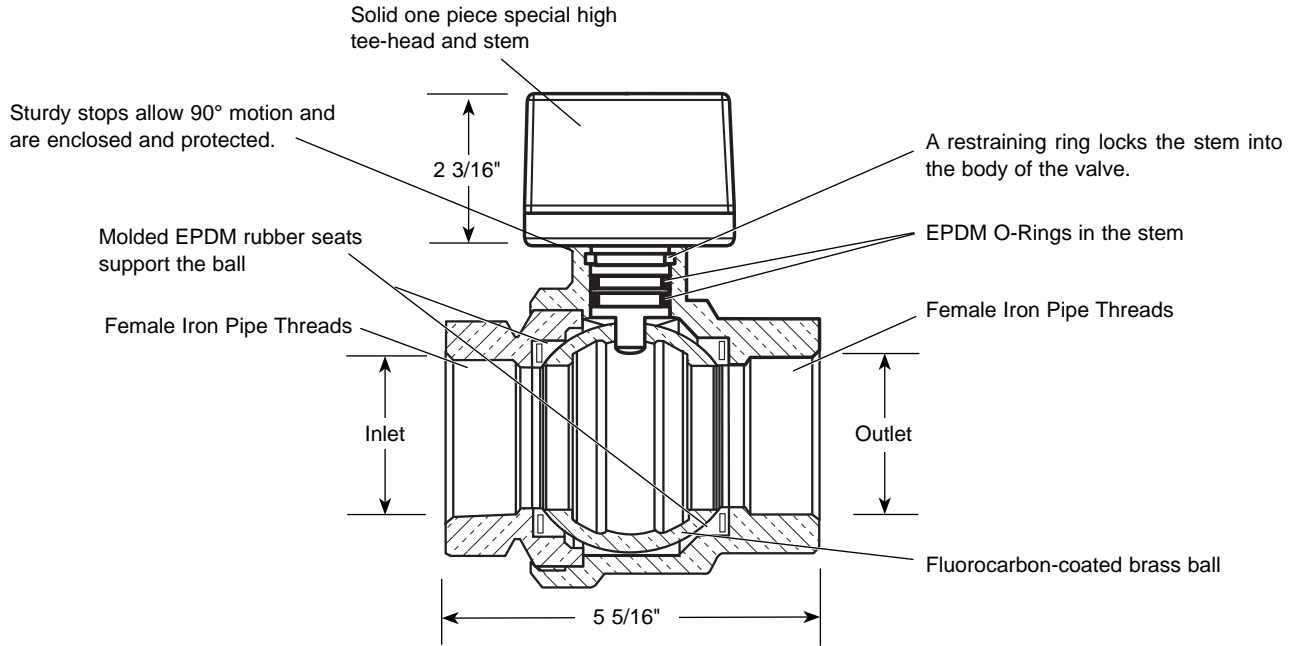


# SUBMITTAL INFORMATION

## Ball Valve Curb Stop - (B11-777-HSTH style)



### FEMALE IRON PIPE THREAD INLET AND OUTLET



VALVE SIZE	INLET SIZE	OUTLET SIZE	TEE-HEAD HEIGHT	VALVE LENGTH	APPROX. WT. LBS.	PART NUMBER	✓ SUBMITTED ITEM(S)
2"	2"	2"	2-3/16"	5-5/16"	9.0	B11-777-HSTH	

### FEATURES

- All brass conforms to AWWA Standard C800 (ASTM B-62 and ASTM B-584, UNS NO C83600 - 85-5-5-5)
- Valve is non-directional and is watertight with flow in either direction.
- Ends are integral or secured with adhesive to prevent unintentional disassembly.
- 300 PSI working pressure.
- Special high tee-head for easier accessibility and operation.

The Ford Meter Box Company considers the information in this submittal form to be correct at the time of publication. Item and option availability, including specifications, are subject to change without notice. Please verify that your product information is current.



#### The Ford Meter Box Company, Inc.

P.O. Box 443, Wabash, Indiana U.S.A. 46992-0443

Phone: 260-563-3171 / Fax: 800-826-3487

Overseas Fax: 260-563-0167

<http://www.fordmeterbox.com>

02/07/07

Submitted By: