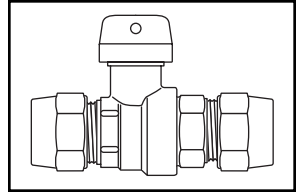
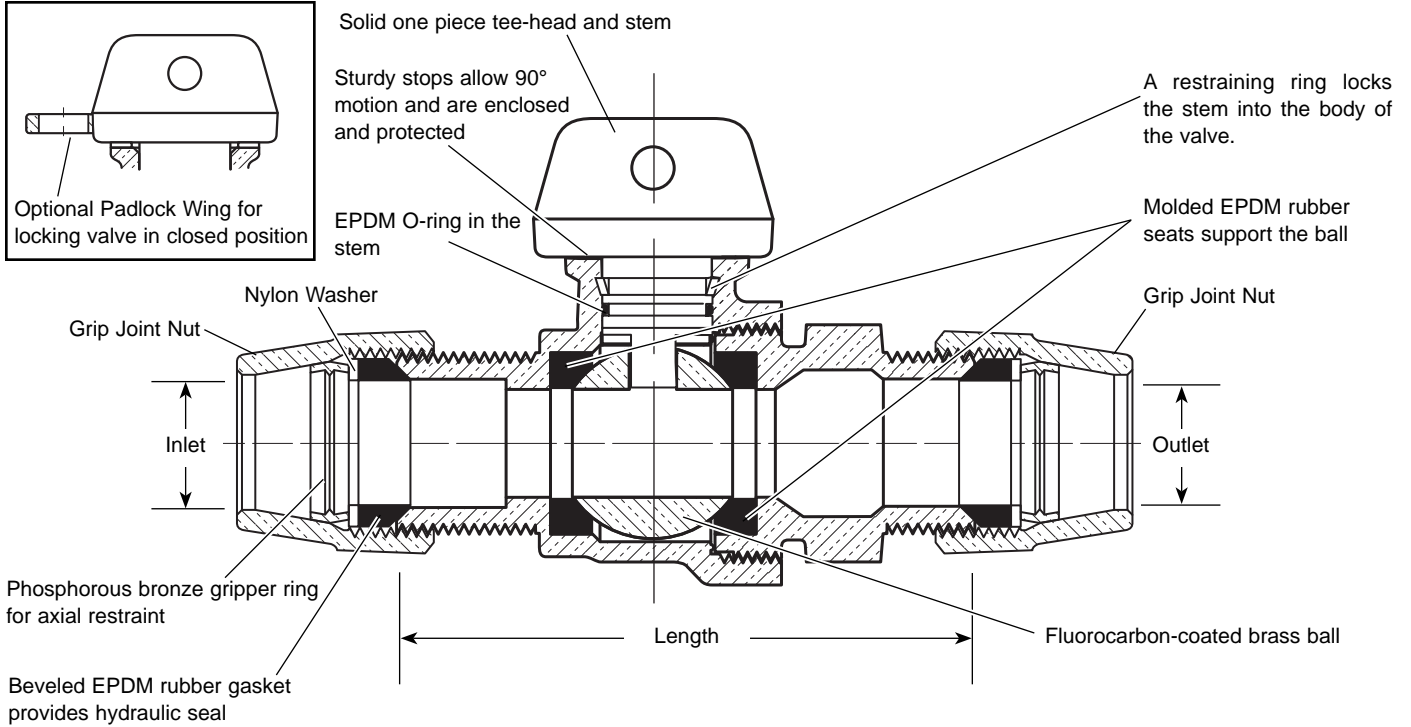


SUBMITTAL INFORMATION

Straight Ball Service Valve - (B66-233-G style)



5/8" VALVES WITH GRIP JOINT FOR POLYETHYLENE PIPE (PEP) BOTH ENDS



| VALVE SIZE | ONE END | OTHER END | LENGTH | APPROX. WT. LBS | PART NUMBER | ✓ SUBMITTED ITEM(S) |
|------------|---------|-----------|---------|-----------------|--------------|---------------------|
| 5/8" | 3/4" | 3/4" | 4-7/16" | 2.0 | ▼ B66-233 -G | |

▼ UL Classified to ANSI/NSF Standard 61.

Note: Ford recommends using insert stiffeners with plastic pipe or tubing



FEATURES

- All brass conforms to AWWA Standard C800 (ASTM B-62 and ASTM B-584, UNS NO C83600 - 85-5-5-5)
- Valve is non-directional and is watertight with flow in either direction.
- Ends are integral or secured with adhesive to prevent unintentional disassembly.
- Hole for attaching handle is provided in the tee-head.
- 300 PSI working pressure

Optional Padlock Wing for locking valve in closed position. Insert "W" into part number.

Example: B66-233W-G

Optional full 360° tee-head rotation. Add "R" to end of part number. Example: B66-233R-G

The Ford Meter Box Company considers the information in this submittal form to be correct at the time of publication. Item and option availability, including specifications, are subject to change without notice. Please verify that your product information is current.



The Ford Meter Box Company, Inc.

P.O. Box 443, Wabash, Indiana U.S.A. 46992-0443

Phone: 260-563-3171 / Fax: 800-826-3487

Overseas Fax: 260-563-0167

<http://www.fordmeterbox.com>

03/30/04

Submitted By: